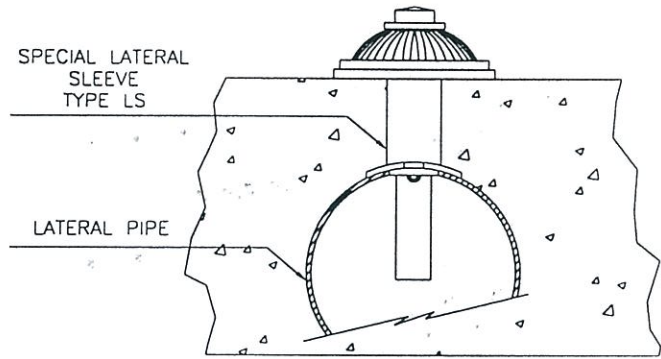
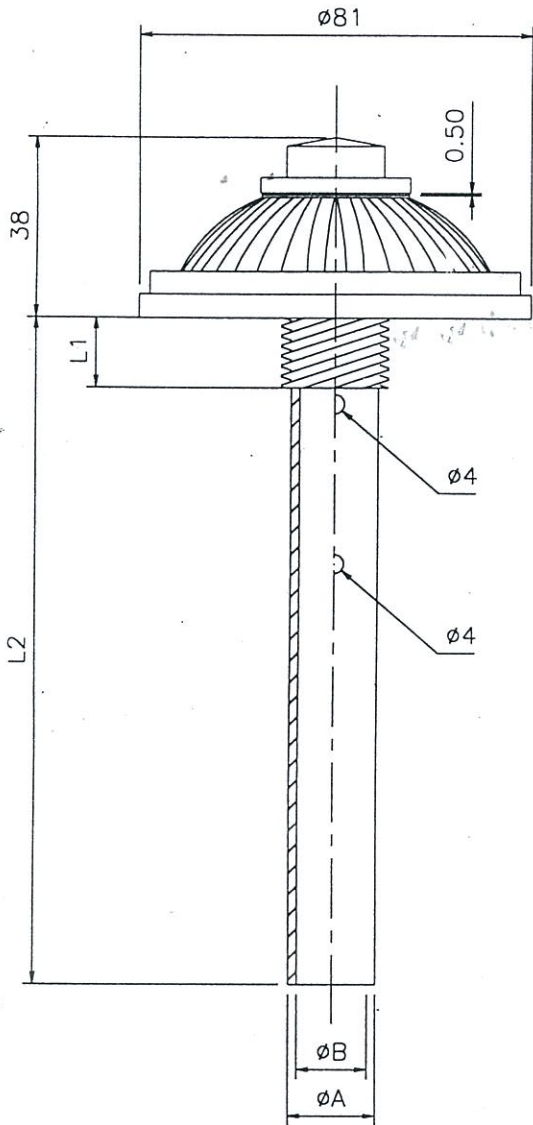



# FILTER NOZZLE

TYPE U2 - 0.5-35 (Long stem)



INSTALLATION WITH SPECIAL LATERAL SLEEVE

ORDERING	TYPE	SLOTS	THREAD	ØA	THREAD LENGTH L1	SHAFT L2	ØB
	U2	36 x 0.5 = 4.30 cm <sup>2</sup>	1/2" BSP	18	35mm	220mm	14 = 1.53 cm <sup>2</sup>

THIS INFORMATION IS BASED ON OUR PRESENT STATE OF KNOWLEDGE AND IS INTENDED TO PROVIDE GENERAL NOTES ON OUR PRODUCTS AND THEIR USES . IT SHOULD NOT THEREFORE BE , CONSTRUDED AS A GURANTEENG SPECIFIC PROPERTIES OF THE PRODUCTS OR THEIR SUITABILITY FOR A PARTICULAR APPLICATION .