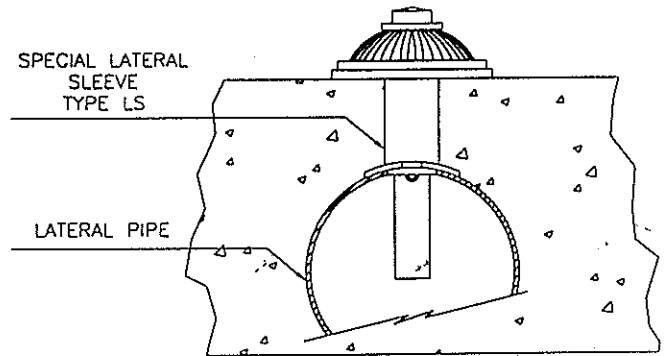
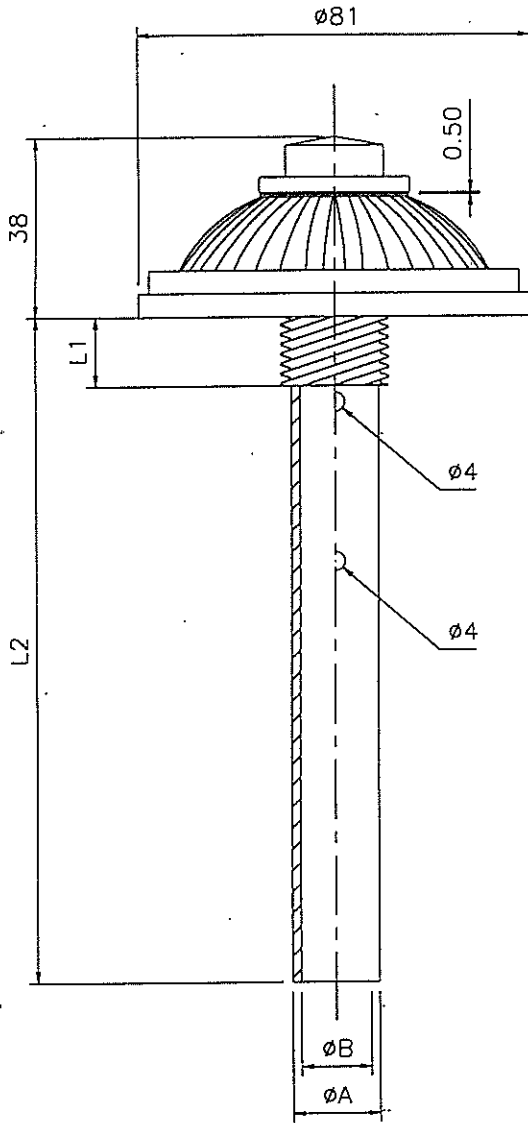


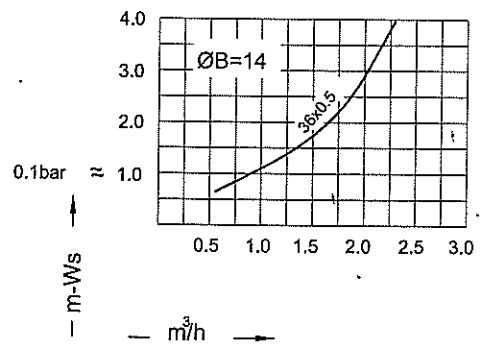



FILTER NOZZLE

TYPE U2



INSTALLATION WITH SPECIAL LATERAL SLEEVE



ORDERING	TYPE	SLOTS	THREAD	ØA	THREAD LENGTH L1	SHAFT L2	ØB
	U2	36 x 0.5 = 4.30 cm ²	1/2" BSP	18	16	140	14 = 1.53 cm ²

THIS INFORMATION IS BASED ON OUR PRESENT STATE OF KNOWLEDGE AND IS INTENDED TO PROVIDE GENERAL NOTES ON OUR PRODUCTS AND THEIR USES. IT SHOULD NOT THEREFORE BE CONSTRUED AS A GUARANTEEING SPECIFIC PROPERTIES OF THE PRODUCTS OR THEIR SUITABILITY FOR A PARTICULAR APPLICATION.