

Wave Cyber Commercial Pressure Tanks

14" to 24" Diameter, PE liner with FRP reinforced outer shell.



Wave Cyber Commercial Pressure Tanks

14" to 24" Diameter, PE liner with FRP reinforced outer shell.

Wave Cyber offers pressure tanks from 14" to 24" diameter for commercial water filtration and softening applications.

Wave Cyber pressure tanks are made of high performance composite materials – HDPE liner with FRP filament winding outer shell. Wave Cyber's design provides a continuous seamless inner liner shell with a GF PP inlet for higher strength, temperature and pressure capabilities.

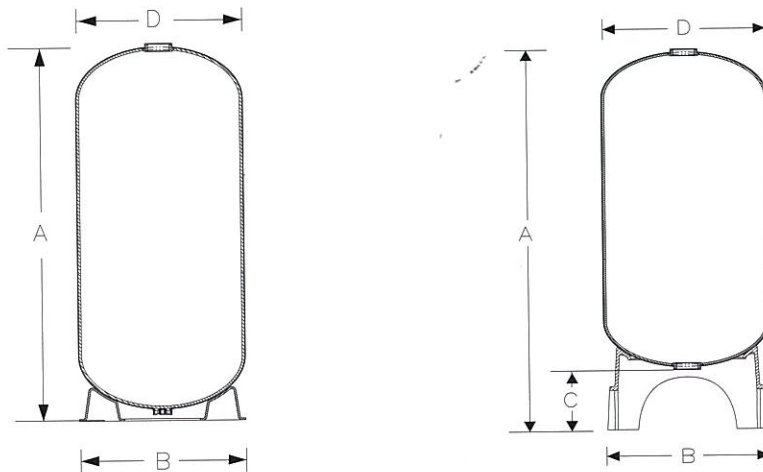
Commercial pressure tanks are available:

- 14" to 16" diameter, 2.5" – 8NPSM, single top opening
- 14" to 16" diameter, 4" – 8UN single and double (top/bottom) openings
- 18" to 24" diameter, 4" – 8UN, single top opening
- 18" to 24" diameter, 4" – 8UN double (top/bottom) openings
- 18" to 24" diameter, 6" – Flange single top opening
- 18" to 24" diameter, 6" – Flange double (top/bottom) openings

All commercial pressure tanks are NSF, PED and KTW certified.

Options:

- Different colors are available.
- Opaque almond colored liner for out-doors application. Available in 14" and 16" diameter tanks only.



Specifications (reference only)

Tank Size	Volume		Weight (Kg) Empty	Opening		Base	Dimensions (mm)			
	L	Cu. Ft.		Top	Bottom		A	B	C	D
14 x 52	115.00	4.06	12.45	2.5"-NPSM	无	standard	1344	365	无	363
			12.55	4"-8UN			1340			
14 x 65	148.00	5.23	14.80	2.5"-NPSM	无	standard	1674	365	无	363
				4"-8UN			1674			
				4"-8UN	4"-8UN		365	4"-8UN	363	
16 x 28	76	2.69	10.46	4"-8UN	无	standard	735	416	无	413
16 x 52	153.00	5.41	15.65	2.5"-NPSM	无	standard	1341	416	无	413
			15.75	4"-8UN						
16 x 65	194.00	6.86	18.65	2.5"-NPSM	无	standard	1671	416	无	413
				4"-8UN			1671			
				4"-8UN	4"-8UN			413		
18 x 36	138.00	4.87	18.70	4"-8UN	无	standard	1000	454	无	491
18 x 53	211.00	7.45	25.80	4"-8UN	无	standard	1432	454	无	491
18 x 65	269.00	9.51	30.50	4"-8UN	无	standard	1722	458	无	486
	257.00	9.08	33.57	4"-8UN	4"-8UN	tripod	2027	488	346	486
18 x 65	261.00	9.22	41.50	6"-FLG	无	standard	1776	454	无	485
			47.60	6"-FLG	6"-FLG	tripod	2079	488	292	485
21 x 36	164.00	5.79	24.10	4"-8UN	无	standard	1002	516	无	555
21 x 53	253.00	8.94	31.30	4"-8UN	无	standard	1434	516	无	555
21 x 62	344.00	12.16	35.50	4"-8UN	无	standard	1721	516	无	555
	330.00	11.66	42.87	4"-8UN	4"-8UN	tripod	2064	550	394	555
21 x 62	330.00	11.66	49.10	6"-FLG	无	standard	1780	516	无	549
			55.60	6"-FLG	6"-FLG	tripod	2128	550	339	549
24 x 72	473.00	16.71	54.20	4"-8UN	无	standard	1918	594	无	626
			55.00	4"-8UN	4"-8UN	tripod	2168	618	300	626
24 x 72	491.00	17.35	58.80	6"-FLG	无	standard	1973	594	无	624
			64.60	6"-FLG	6"-FLG	tripod	2222	618	245	624

Operating Condition:

Max. Operating pressure: 150 psi (10.5 bars)

Max. Operating temperature: 120°F (49°C)