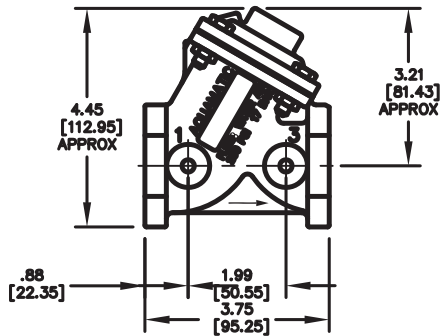


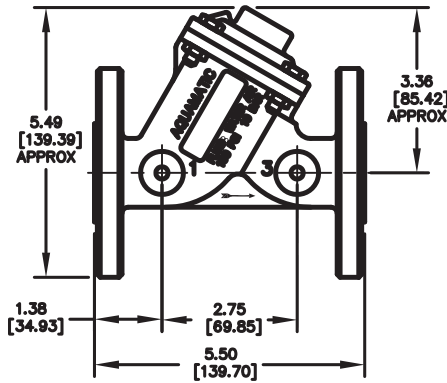
1" DIAPHRAGM VALVE - STAINLESS STEEL

THREADED



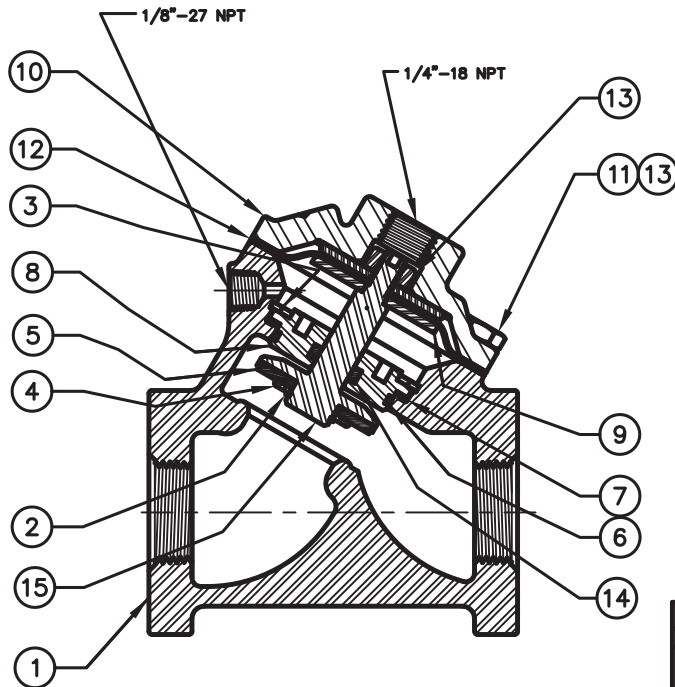
MODEL: V46C-0200-03000 (THREADED)

FLANGED

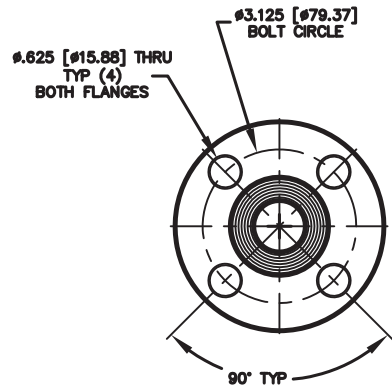


MODEL: V46C-3200-03000 (FLANGED)

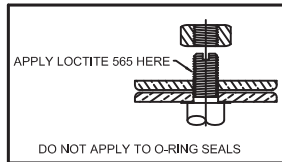
INCHES [MILLIMETERS]



NORMALLY OPEN (STANDARD)



FLANGES PER ASTM B16.5
CLASS 150 AND ISO 7005-1 PN20



REPAIR PARTS KITS			
DESCRIPTION	PART NO.		
DIAPHRAGM & SEALS KIT CONSISTS OF ITEM NO'S 2, 3, 5, 6, 7, 12, 13, 14, 17 & 28 & SILICONE PACK PART NO. 1071485	1078620	1078621	1078622
	BUNA N INCLUDES DIAPHRAGM	E.P.D.M. INCLUDES DIAPHRAGM	FKM INCLUDES DIAPHRAGM
	1074119	1074119	1074120
INT. PARTS KIT (NORM. OPEN) CONSISTS OF STANDARD ITEM NO'S 4, 8, 9(2), 15	1078623		

NO.	DESCRIPTION	STD	PART NO.	QTY.		
1	BODY, 1" THREADED	NPT	CAST CF8M (316 SS)	1		
		BSPT				
	BODY, 1" FLANGED	NPT				
2	RETAINING RING	316 SS	*	1078562	1	
3	RETAINING RING	316 SS	*	1075695	1	
4	DISC PLATE	316 SS	*	1075690	1	
5	DISC	BUNA	*	1074140	1	
		E.P.D.M.		1074143		
		FKM		1074146		
6	O-RING (-026)	BUNA N	*	1079834	1	
		E.P.D.M.		1081944		
		FKM		1081946		
7	O-RING (-029)	BUNA N	*	1079835	1	
		E.P.D.M.		1081945		
		FKM		1081947		
8	SHAFT GUIDE	316 SS	*	1078579	1	
9	DIAPHRAGM PLATE	316 SS	*	1075684	2	
10	CAP	NPT	CAST CF8M	*	1078572	1
11	HEX SCREW	316 SS	*	1075692	4	
12	DIAPHRAGM	BUNA N	*	1074119	1	
		FKM		1074120		
13	HEX NUT	316 SS	*	1075693	5	
		BUNA N	*	1071689		
14	O-RING (-110TC)	E.P.D.M.		1071726	1	
		FKM		1239021		
15	SHAFT	CAST CF8M	*	1078584	1	

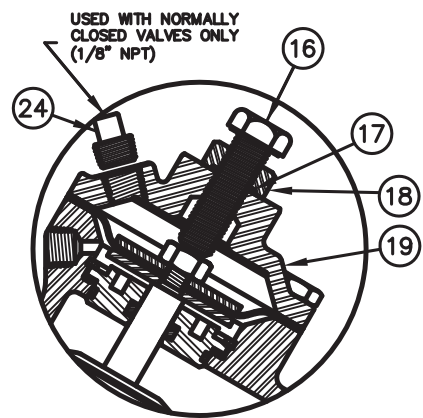
NOTES:

- AMERICAN NATIONAL STANDARD TAPER PIPE THREADS (NPT) PER ANSI B1.20.1.
- VALVES AVAILABLE IN BSPT CONFIGURATION. (SEE ITEM 1)

SEE SHEET 2 FOR CONFIGURATION OPTIONS

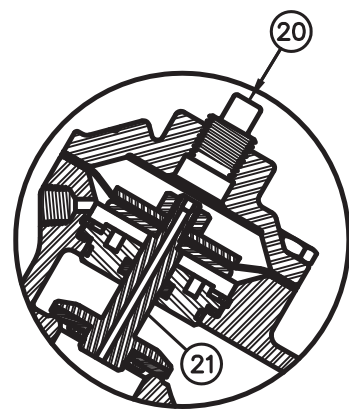
FORM NO. 1078633

D	ADDED LOCTITE APPLICATION BOX INFO	1713	MSM	26JUN07	
REV	DESCRIPTION	ECO	DWN	DATE	APVD
		20580 Enterprise Avenue Brookfield, WI 53045 888.784.9065 www.Pentairwatertreatment.com			
<h2>SERIES 461 DIAPHRAGM VALVE</h2> <h3>STANDARD MODEL</h3>					
DRAWN	GES	DATE	03APR02	DRAWING NO.	1078634



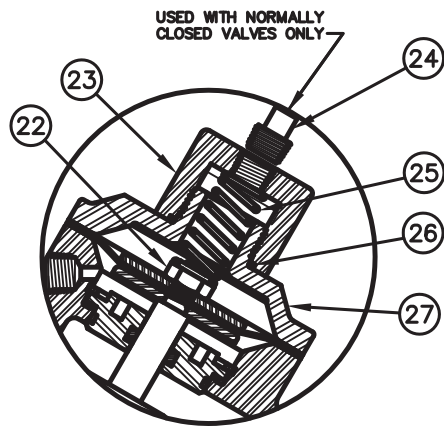
LIMIT STOP

MODEL: V46C-3210-03000 (FLANGED)
 MODEL: V46C-0210-03000 (THREADED)



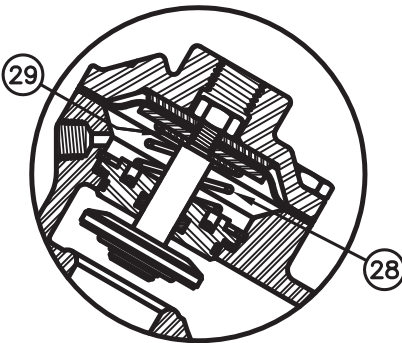
NORMALLY CLOSED

MODEL: V46C-3230-03000 (FLANGED)
 MODEL: V46C-0230-03000 (THREADED)



SPRING ASSIST CLOSED

MODEL: V46C-3202-03000 (FLANGED)
 MODEL: V46C-0202-03000 (THREADED)



SPRING ASSIST OPEN

MODEL: V46C-3201-03000 (FLANGED)
 MODEL: V46C-0201-03000 (THREADED)

REPAIR PARTS KITS	
DESCRIPTION	PART NO.
INT. PARTS KIT (LIMIT STOP) CONSISTS OF STANDARD ITEM NO'S 16,17,18	1078624
INT. PARTS KIT (NORMALLY CLOSED) CONSISTS OF STANDARD ITEM NO'S 4,8,9(2),21	1078625
INT. PARTS KIT (SPRING ASSIST CLOSED) CONSISTS OF STANDARD ITEM NO'S 22,25,26	1078626
INT. PARTS KIT (SPRING ASSIST OPEN) CONSISTS OF STANDARD ITEM NO'S 28, 29	1078627

CONVERSION KITS	
DESCRIPTION	PART NO.
CONVERSION KIT (LIMIT STOP) CONSISTS OF STANDARD ITEM NO'S 16,17,18,19	1078629
CONVERSION KIT (SPRING ASSIST CLOSED) CONSISTS OF STANDARD ITEM NO'S 22,23,24,25,26,27	1078630
CONVERSION KIT (SPRING ASSIST OPEN) CONSISTS OF STANDARD ITEM NO'S 28, 29	1078627


NO.	DESCRIPTION	STD	PART NO.	QTY.
LIMIT STOP MODEL				
16	SCREW	316 SS	* 1078676	1
17	O-RING (-112)	BUNA	* 1071690	1
18	STOP NUT	316 SS	* 1078678	1
19	CAP, NPT	CAST CF8M	* 1078590	1
NORMALLY CLOSED MODEL				
20	PIPE PLUG, 1/4" NPT	316 SS	* 1078592	1
21	SHAFT (NORMALLY CLOSED)	316 SS	* 1078594	1
SPRING ASSIST CLOSED MODEL				
22	CENTERING NUT	316 SS	* 1078596	1
23	RETAINER NUT	316 SS	* 1078598	1
24	PIPE PLUG (1/8" NPT)	316 SS	* 1078600	1
25	SPRING	316 SS	* 1078602	1
26	O-RING (-020)	BUNA	* 1071674	1
27	CAP	CAST CF8M	* 1078604	1
SPRING ASSIST OPEN MODEL				
28	SPRING	316 SS	* 1078608	1
29	CENTERING WASHER	316 SS	* 1236665	1

NOTE:

1. SPRING ASSIST CLOSED MODEL CANNOT BE COMBINED WITH LIMIT STOP MODEL.

SEE SHEET 1 FOR STANDARD NORMALLY OPEN MODEL

FORM NO. 1078633

D	SEE REVERSE SIDE	1713	MSM	26JUN07	
REV	DESCRIPTION	ECO	DWN	DATE	APVD
 20580 Enterprise Avenue Brookfield, WI 53045 888.784.9065 www.Pentairwatertreatment.com					
SERIES 461 DIAPHRAGM VALVE					
STANDARD MODEL					
DRAWN		DATE		DRAWING NO.	
GES		03APR02		1078634	