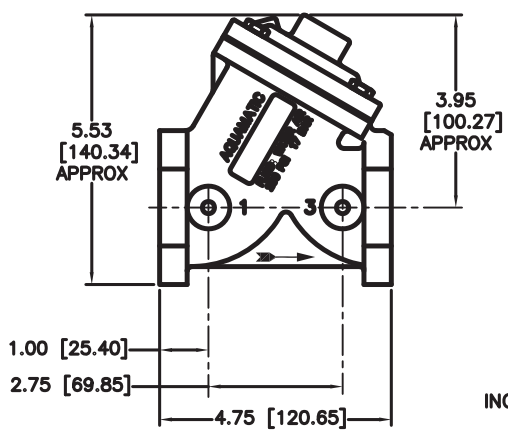


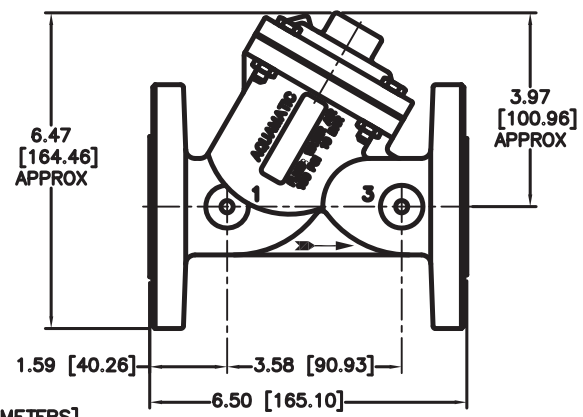
1-1/2" DIAPHRAGM VALVE - STAINLESS STEEL

**THREADED**

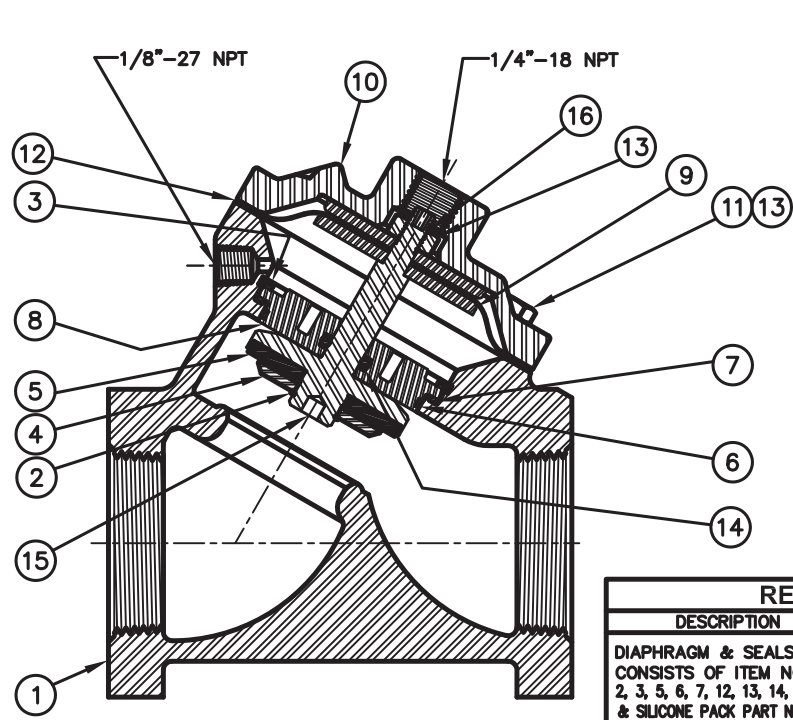


MODEL: V48E-0200-03000 (THREADED)

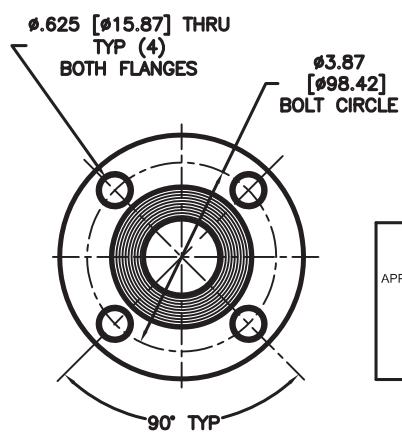
**FLANGED**



MODEL: V48E-3200-03000 (FLANGED)



**NORMALLY OPEN (STANDARD)**



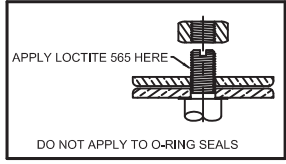
FLANGES PER ASTM B16.5 CLASS 150 AND ISO 7005-1 PN20

REPAIR PARTS KITS			
DESCRIPTION	PART NO.		
DIAPHRAGM & SEALS KIT CONSISTS OF ITEM NO'S 2, 3, 5, 6, 7, 12, 13, 14, 17 & 26 & SILICONE PACK PART NO. 1071485	1236768	1236769	1236775
	BUNA N INCLUDES DIAPHRAGM 1074222	E.P.D.M. INCLUDES DIAPHRAGM 1074222	FKM INCLUDES DIAPHRAGM 1236800
	INT. PARTS KIT (NORM. OPEN) CONSISTS OF STANDARD ITEM NO'S 4, 8, 9(2), 15		
	1236780		

NO.	DESCRIPTION	STD	PART NO.	QTY.		
1	BODY, 1.5" THREADED	NPT	CAST CF8M (316 SS)	1		
		BSPT				
	BODY, 1.5" FLANGED	NPT				
2	RETAINING RING	316 SS	*	1078562	1	
3	RETAINING RING	316 SS	*	1236749	1	
4	DISC PLATE	316 SS	*	1236752	1	
5	DISC	BUNA N	*	1074232	1	
		E.P.D.M.		1074233		
		FKM		1074236		
6	O-RING (-031)	BUNA N	*	1071680	1	
		E.P.D.M.		1236771		
		FKM		1236777		
7	O-RING (-033)	BUNA N	*	1236751	1	
		E.P.D.M.		1236772		
		FKM		1236778		
8	SHAFT GUIDE	316 SS	*	1236755	1	
9	DIAPHRAGM PLATE	316 SS	*	1236754	2	
10	CAP	NPT	CAST CF8M	*	1236753	1
11	HEX SCREW	316 SS	*	1236794	4	
12	DIAPHRAGM	BUNA N	*	1074222	1	
		FKM		1074224		
13	HEX NUT	316 SS	*	1075693	5	
14	O-RING (-110TC)	BUNA N	*	1071689	1	
		E.P.D.M.		1071726		
		FKM		1239021		
15	SHAFT	CAST CF8M	*	1084212	1	
16	THREAD SEALER	-	*	-	1	

NOTE:

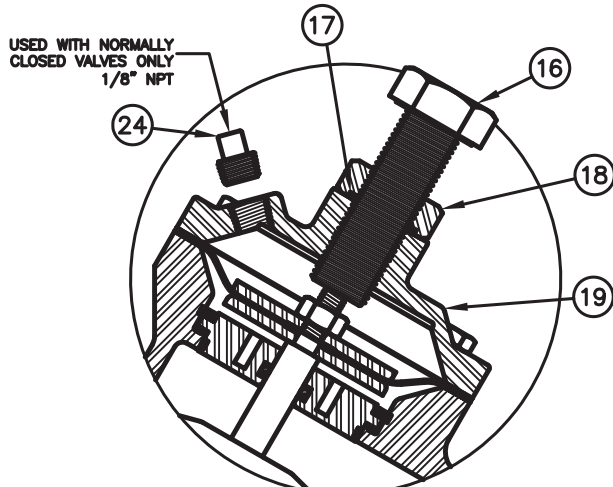
1. AMERICAN NATIONAL STANDARD TAPER PIPE THREADS (NPT) PER ANSI B1.20.1.
2. VALVES AVAILABLE IN BSPT CONFIGURATION. (SEE ITEM 1)



SEE SHEET 2 FOR CONFIGURATION OPTIONS

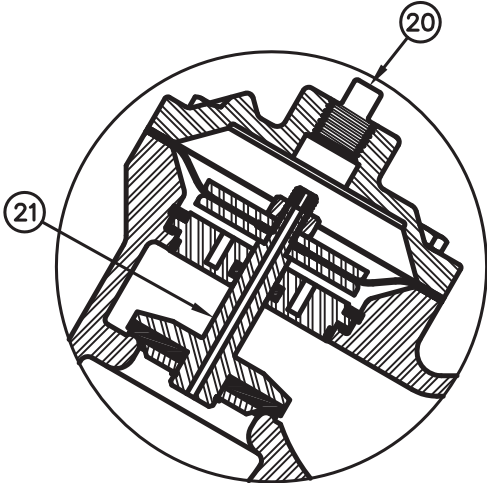
FORM NO. 1236757

E	ADDED LOCTITE APPLICATION BOX INFO	1713	MSM	26JUN07	
REV	DESCRIPTION	ECO	DWN	DATE	APVD
		20580 Enterprise Avenue Brookfield, WI 53045 888.784.9065 www.Pentairwatertreatment.com			
<b>SERIES 464 DIAPHRAGM VALVE STANDARD MODEL</b>					
DRAWN		DATE		DRAWING NO.	
GES		03APR02		1206159	



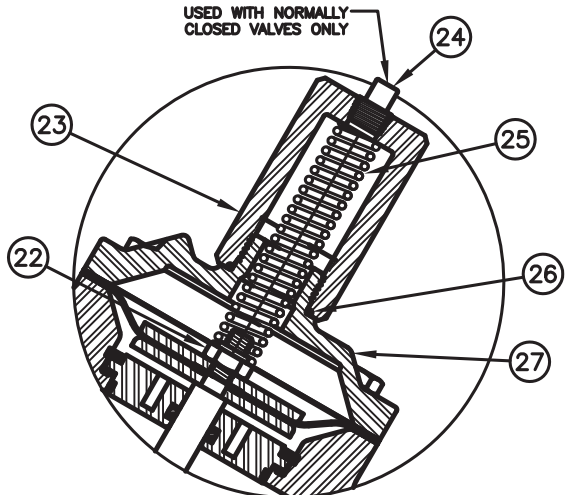
**LIMIT STOP**

MODEL: V46E-3210-03000 (FLANGED)  
 MODEL: V46E-0210-03000 (THREADED)



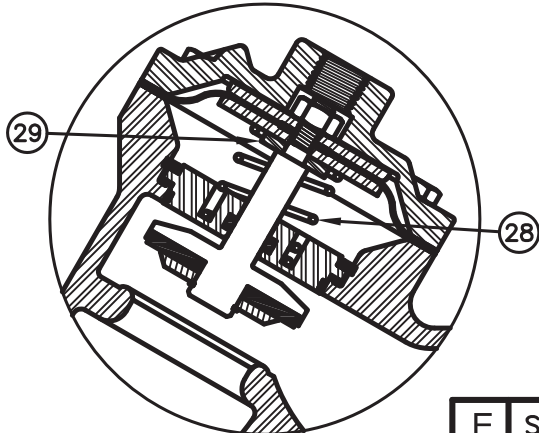
**NORMALLY CLOSED**

MODEL: V46E-3230-03000 (FLANGED)  
 MODEL: V46E-0230-03000 (THREADED)



**SPRING ASSIST CLOSED**

MODEL: V46E-3202-03000 (FLANGED)  
 MODEL: V46E-0202-03000 (THREADED)



**SPRING ASSIST OPEN**

MODEL: V46E-3201-03000 (FLANGED)  
 MODEL: V46E-0201-03000 (THREADED)

NO.	DESCRIPTION	STD	PART NO.	QTY.
<b>LIMIT STOP MODEL</b>				
16	SCREW	316 SS *	1078676	1
17	O-RING (-112)	BUNA N *	1071690	1
18	STOP NUT	316 SS *	1078678	1
19	CAP, NPT	CAST CF8M *	1236759	1

<b>NORMALLY CLOSED MODEL</b>				
20	PIPE PLUG, 1/4" NPT	316 SS *	1078592	1
21	SHAFT (NORMALLY CLOSED)	316 SS *	1236762	1

<b>SPRING ASSIST CLOSED MODEL</b>				
22	CENTERING NUT	316 SS *	1078596	1
23	RETAINER NUT	316 SS *	1236763	1
24	PIPE PLUG (1/8" NPT)	316 SS *	1078600	1
25	SPRING	316 SS *	1236764	1
26	O-RING (-020)	BUNA N *	1071674	1
27	CAP	CAST CF8M *	1236765	1

<b>SPRING ASSIST OPEN MODEL</b>				
28	SPRING	316 SS *	1236766	1
29	CENTERING WASHER	316 SS *	1236665	1

NOTE:

1. SPRING ASSIST CLOSED MODEL CANNOT BE COMBINED WITH LIMIT STOP MODEL.

SEE SHEET 1 FOR STANDARD NORMALLY OPEN MODEL

FORM NO. 1236757

CONVERSION KITS	
DESCRIPTION	PART NO.
CONVERSION KIT (LIMIT STOP) CONSISTS OF STANDARD ITEM NO'S 16,17,18,19	1236785
CONVERSION KIT (SPRING ASSIST CLOSED) CONSISTS OF STANDARD ITEM NO'S 22,23,24,25,26,27	1236786
CONVERSION KIT (SPRING ASSIST OPEN) CONSISTS OF STANDARD ITEM NO'S 28,29	1236784

REPAIR PARTS KITS	
DESCRIPTION	PART NO.
INT. PARTS KIT (LIMIT STOP) CONSISTS OF STANDARD ITEM NO'S 16,17,18	1236781
INT. PARTS KIT (NORMALLY CLOSED) CONSISTS OF STANDARD ITEM NO'S 4,8,9(2),21	1236782
INT. PARTS KIT (SPRING ASSIST CLOSED) CONSISTS OF STANDARD ITEM NO'S 22,25,26	1236783
INT. PARTS KIT (SPRING ASSIST OPEN) CONSISTS OF STANDARD ITEM NO'S 28, 29	1236784

E	SEE REVERSE SIDE	1713	MSM	26JUN07	
REV	DESCRIPTION	ECO	DWN	DATE	APVD
		20580 Enterprise Avenue Brookfield, WI 53045 888.784.9065 www.Pentairwatertreatment.com			
<b>SERIES 464 DIAPHRAGM VALVE</b> <b>STANDARD MODEL</b>					
DRAWN	GES	DATE	03APR02	DRAWING NO.	1206159