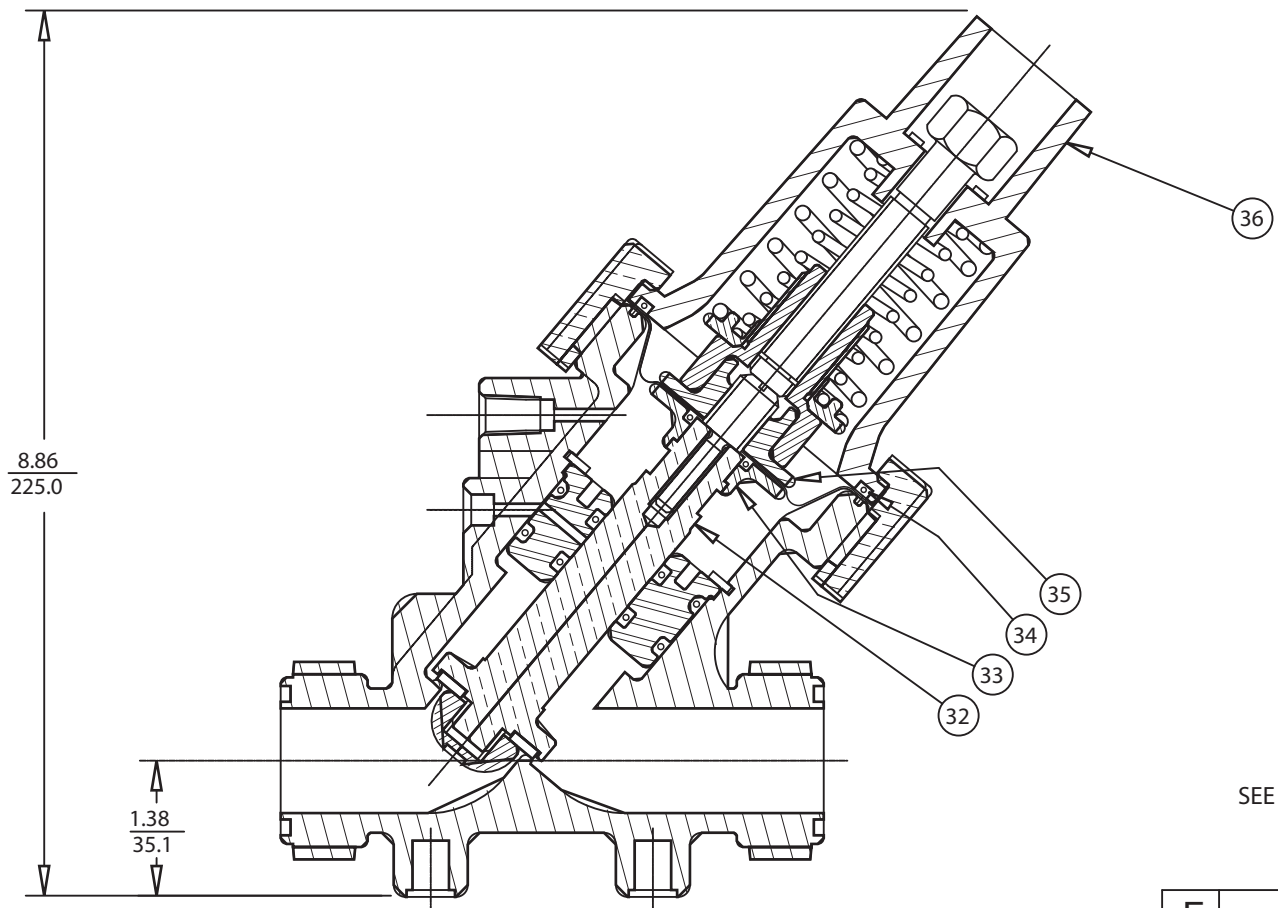


K531 DIAPHRAGM VALVE - FAILSAFE MODEL

NO.	DESCRIPTION	PART NO.	QTY.
32	SHAFT	1073296 (V531-532)	1
33	LOWER DIAPHRAGM PLATE	1073290 (V531-446)	1
34	O-RING	BUNA N	1071705 (ORB-232)
		FKM	1071825 (ORV-232)
35	UPPER DIAPHRAGM PLATE	1073289 (V531-441)	1
36	CAP ASSEMBLY - 30#	1071263 (K531-F53)	1
	CAP ASSEMBLY - 60#	1071264 (K531-F56)	
	CAP ASSEMBLY - 100#	1071262 (K531-F51)	

NOTE:
DUE TO SPRING ASSEMBLY REQUIREMENTS,
CAP ASSEMBLY SOLD AS ASSEMBLY ONLY.



- 1079700 (K531-X203-14000) (30 PSI - 2 BAR)
- 1071291 (K531-X204-14000) (60 PSI - 4 BAR)
- 1071294 (K531-X205-14000) (100 PSI - 7 BAR)

FAILSAFE CLOSED

INCHES
MILLIMETERS

SEE DWG. NO. 1084007 FOR STANDARD MODEL

FORM NO. 1078167

F	SEE REVERSE SIDE	1715	MSM	24JUL07	SMN
REV	DESCRIPTION	ECO	DWN	DATE	APVD

20580 Enterprise Avenue
Brookfield, WI 53045
888.784.9065
www.Pentairwatertreatment.com

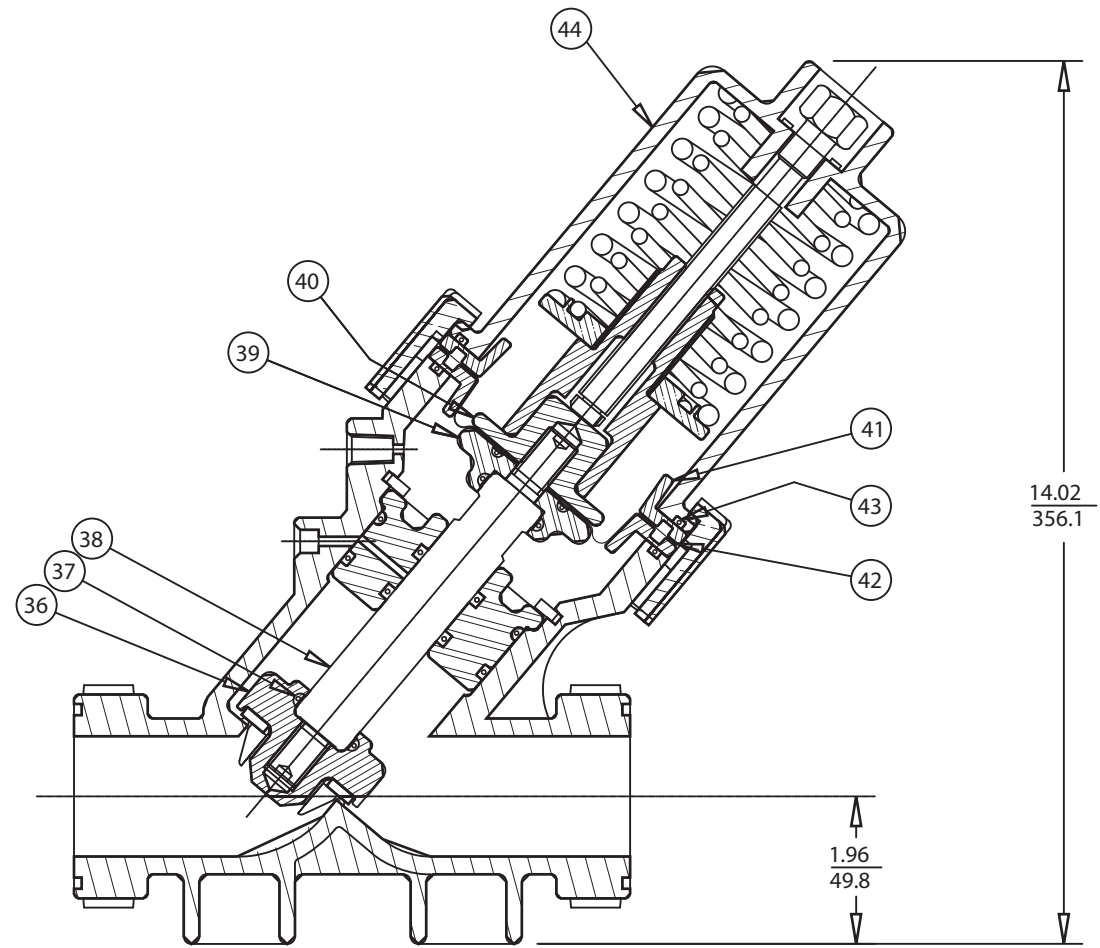
SERIES 531 DIAPHRAGM VALVE FAILSAFE MODEL

DRAWN	JWB	DATE	26JUN01	DRAWING NO.	1084008
-------	-----	------	---------	-------------	---------

K534 DIAPHRAGM VALVE - FAILSAFE MODEL

NO.	DESCRIPTION	PART NO.	QTY.	
36	DISC HOLDER	PVC	1073355 (V534-502)	1
		NORYL	1073356 (V534-503)	
37	O-RING	E.P.D.M.	1071745 (ORE-212)	1
		FKM	1071816 (ORV-212)	
		BUTYL	1071777 (ORJ-212)	
38	SHAFT	PVC	1073378 (V534-701)	1
		NORYL	1073379 (V534-702)	
39	LOWER DIAPHRAGM PLATE	1073349 (V534-448)	1	
40	UPPER DIAPHRAGM PLATE	1073348 (V534-444)	1	
41	DIAPHRAGM SUPPORT	1073366 (V534-551K)	1	
42	DIAPHRAGM (BUNA)	1073335 (V534-102)	1	
43	O-RING	BUNA	1071709 (ORB-240)	1
		FKM	1071830 (ORV-240)	
44	CAP ASSEMBLY - 30#		1071306 (K534-FS3)	1
		CAP ASSEMBLY - 60#	1071307 (K534-FS6)	
		CAP ASSEMBLY - 100#	1071305 (K534-FS1)	

NOTE:
DUE TO SPRING ASSEMBLY
REQUIREMENTS, CAP ASSEMBLY
SOLD AS ASSEMBLY ONLY.




- 1079718 (K534-X203-14000) (30 PSI - 2 BAR)
- 1071334 (K534-X204-14000) (60 PSI - 4 BAR)
- 1071335 (K534-X205-14000) (100 PSI - 7 BAR)

FAILSAFE CLOSED

INCHES
MILLIMETERS

SEE DWG. NO. 1084009 FOR STANDARD MODEL

FORM NO. 1078167

F	OBSOLETED VITON DIAPHRAGM	1715	MSM	24JUL07	SMN
REV	DESCRIPTION	ECO	DWN	DATE	APVD
		20580 Enterprise Avenue Brookfield, WI 53045 888.784.9065 www.Pentairwatertreatment.com			
SERIES 534 DIAPHRAGM VALVE FAILSAFE MODEL					
DRAWN	JWB	DATE	26JUN01	DRAWING NO.	1084008