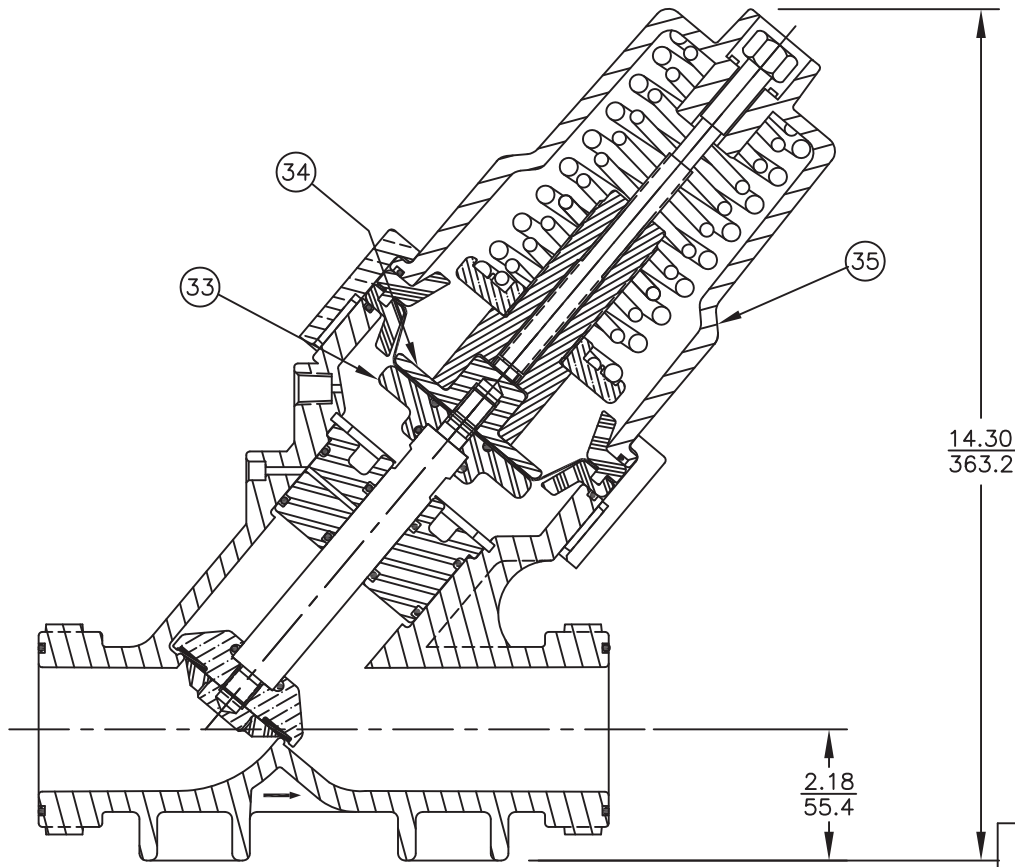


K535 DIAPHRAGM VALVE - FAILSAFE MODEL

NO.	DESCRIPTION	PART NO.	QTY.
33	LOWER DIAPHRAGM PLATE	1073412 (V535-448)	1
34	UPPER DIAPHRAGM PLATE	1073411 (V535-444)	1
44	CAP ASSEMBLY - 30#	1071341 (K535-FS3)	1
	CAP ASSEMBLY - 60#	1071342 (K535-FS6)	
	CAP ASSEMBLY - 100#	1071340 (K535-FS1)	

NOTE:
DUE TO SPRING ASSEMBLY REQUIREMENTS,
CAP ASSEMBLY SOLD AS ASSEMBLY ONLY.



- 1076665 (K535-X203-14000) (30 PSI - 2 BAR)
- 1071368 (K535-X204-14000) (60 PSI - 4 BAR)
- 1071371 (K535-X205-14000) (100 PSI - 7 BAR)

FAILSAFE CLOSED

INCHES
MILLIMETERS

SEE DWG. NO. 1084010 FOR STANDARD MODEL
FORM NO. 1078168

C	SEE REVERSE SIDE	NONE	MSM	15May06	SMN
REV	DESCRIPTION	ECO	DWN	DATE	APVD



20580 Enterprise Avenue
Brookfield, WI 53045
888.784.9065
www.Pentairwatertreatment.com

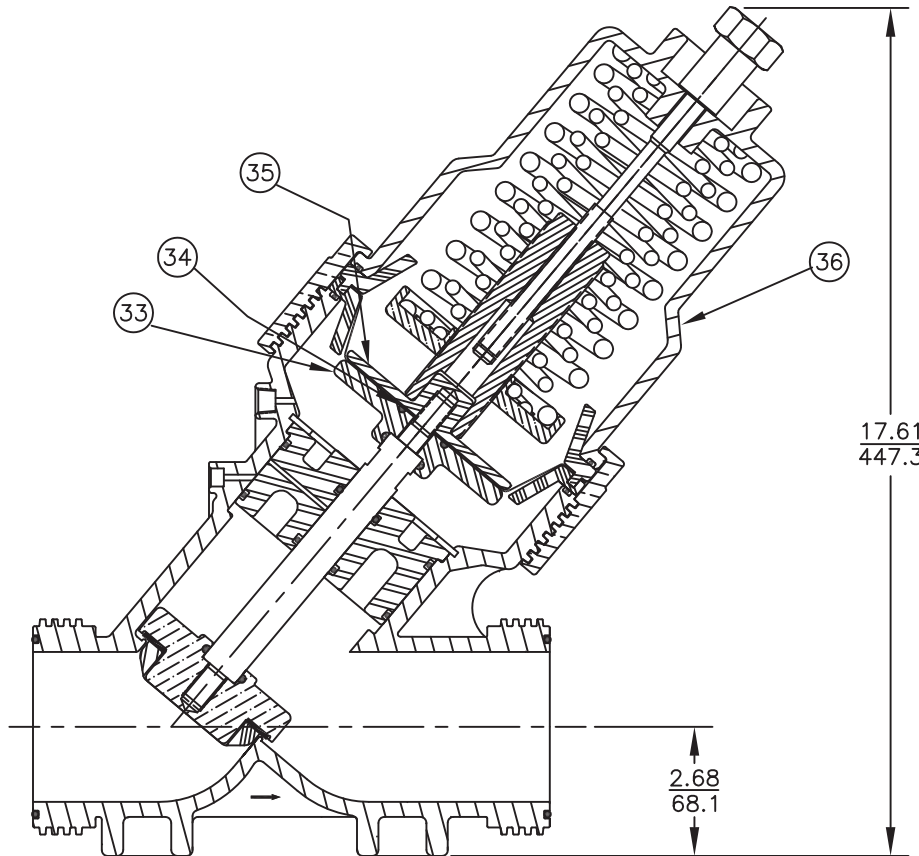
SERIES 535 DIAPHRAGM VALVE FAILSAFE SPRING CLOSED MODEL

DRAWN	JWB	DATE	26Jun01	DRAWING NO.	1084011
-------	-----	------	---------	-------------	---------

K537 DIAPHRAGM VALVE - FAILSAFE MODEL

NO.	DESCRIPTION	PART NO.	QTY.
33	LOWER DIAPHRAGM PLATE	1073477 (V537-447)	1
34	O-RING	BUNA 1076766 (ORB-214)	1
		FKM 1071817 (ORV-214)	
35	UPPER DIAPHRAGM PLATE	1073476 (V537-444)	1
36	CAP ASSEMBLY - 30#	1071375 (K537-FS3)	1
	CAP ASSEMBLY - 60#	1071376 (K537-FS6)	
	CAP ASSEMBLY - 100#	1071374 (K537-FS1)	

NOTE:
DUE TO SPRING ASSEMBLY REQUIREMENTS,
CAP ASSEMBLY SOLD AS ASSEMBLY ONLY.



- 1071392 (K537-X203-14000) (30 PSI - 2 BAR)
- 1071393 (K537-X204-14000) (60 PSI - 4 BAR)
- 1071396 (K537-X205-14000) (100 PSI - 7 BAR)

FAILSAFE CLOSED

INCHES
MILLIMETERS

SEE DWG. NO. 1084012 FOR STANDARD MODEL
FORM NO. 1078168

C	CORRECTED P/N TYPO	NONE	MSM	15May06	SMN
REV	DESCRIPTION	ECO	DWN	DATE	APVD



20580 Enterprise Avenue
Brookfield, WI 53045
888.784.9065
www.Pentairwatertreatment.com

SERIES 537 DIAPHRAGM VALVE FAILSAFE SPRING CLOSED MODEL

DRAWN	JWB	DATE	26Jun01	DRAWING NO.	1084011
-------	-----	------	---------	-------------	---------