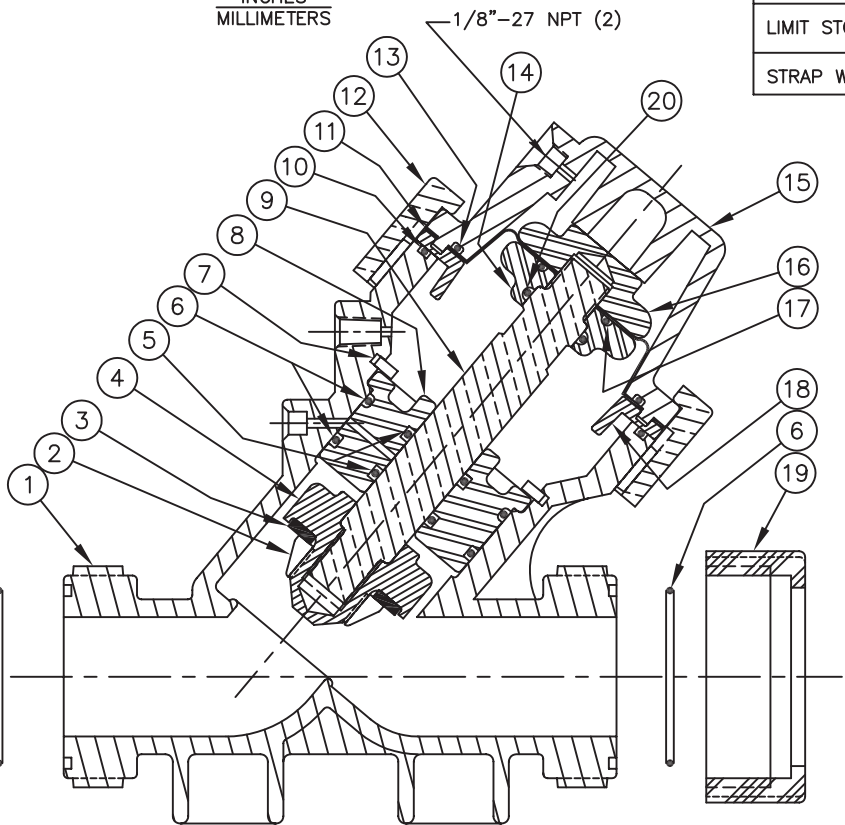


| REPAIR PARTS KITS | |
|---|---|
| DESCRIPTION | PART NO. |
| DIAPHRAGM & SEALS KIT CONSISTS OF ITEM NO'S 3,5,6,10,11,13,17 | 1070319 (534-RAE) 1070327 (534-RAJ) |
| | E.P.D.M. BUTYL INCLUDES INCLUDES DIAPHRAGM DIAPHRAGM 1073333 (V534-100) 1073333 (V534-100) |
| | 1070335 (534-RAV) FKM INCLUDES DIAPHRAGM 1073334 (V534-101) |
| INT. PARTS KIT CONSISTS OF ITEM NO'S 2,4,7,8,9,14,16,18 | 1070343 (K534-RF) |

| ASSEMBLY TOOLS | |
|----------------------------------|--------------------|
| DESCRIPTION | PART NO. |
| LIMIT STOP TOOL (TOOL NOT SHOWN) | 1073556 (V560-579) |
| STRAP WRENCH (TOOL NOT SHOWN) | 1073557 (V560-581) |

| NO. | DESCRIPTION | PART NO. | QTY. |
|-----|---------------------|---------------------------|------|
| 1 | BODY | 1073344 (V534-410K) | 1 |
| 2 | DISC PLATE | PVC 1073330 (V534-093) | 1 |
| | | NORYL 1073331 (V534-094) | |
| 3 | DISC | E.P. 1073337 (V534-110) | 1 |
| | | BUTYL 1073338 (V534-111) | |
| | | FKM 1073339 (V534-112) | |
| | | PVC 1073353 (V534-500) | |
| 4 | DISC HOLDER | NORYL 1073354 (V534-501) | 1 |
| | | E.P. 1242719 (ORE-212TC) | |
| 5 | O-RING | BUTYL 1071777 (ORJ-212) | 2 |
| | | FKM 1242395 (ORV-212TC) | |
| | | E.P. 1071751 (ORE-228) | |
| 6 | O-RING | BUTYL 1071781 (ORJ-228) | 4 |
| | | FKM 1071822 (ORV-228) | |
| | | E.P. 1071751 (ORE-228) | |
| 7 | RETAINING RING | 1073375 (V534-593) | 1 |
| 8 | SHAFT GUIDE | PVC 1073350 (V534-491) | 1 |
| | | NORYL 1073351 (V534-492) | |
| 9 | SHAFT | PVC 1073360 (V534-533) | 1 |
| | | NORYL 1073361 (V534-534) | |
| 10 | O-RING | BUNA N 1071709 (ORB-240) | 1 |
| | | FKM 1071830 (ORV-240) | |
| 11 | DIAPHRAGM | BUNA N 1073333 (V534-100) | 1 |
| | | FKM 1073334 (V534-101) | |
| 12 | CAP RETAINER NUT | 1073458 (V537-080K) | 1 |
| 13 | O-RING | BUNA N 1071707 (ORB-235) | 1 |
| | | FKM 1071827 (ORV-235) | |
| 14 | LOWER DIA. PLATE | PVC 1073320 (V534-045) | 1 |
| | | NORYL 1073321 (V534-046) | |
| 15 | CAP | 1073317 (V534-020K) | 1 |
| 16 | UPPER DIA. PLATE | PVC 1073318 (V534-040) | 1 |
| | | NORYL 1073319 (V534-041) | |
| 17 | O-RING | BUTYL 1076766 (ORB-214) | 1 |
| | | FKM 1071817 (ORV-214) | |
| 18 | DIAPH. SUPPORT | 1073366 (V534-551K) | 1 |
| 19 | SOCKET RTNG NUT | 1073329 (V534-080K) | 2 |
| 20 | O-RING | BUNA N 1076765 (ORB-212) | 1 |
| | | FKM 1071816 (ORV-212) | |

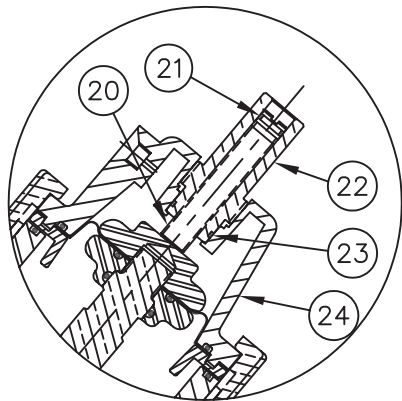


SEE REVERSE SIDE FOR CONFIGURATION OPTIONS

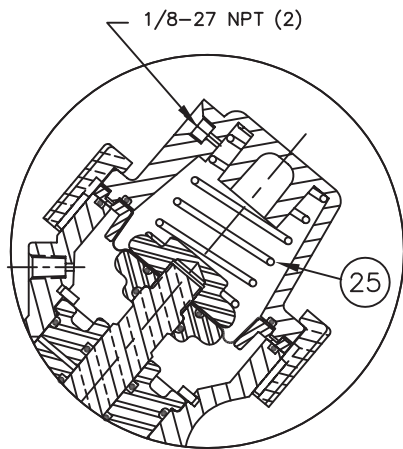
FORM NO. 1077689

1070308 (K534-X200-14000)
NORMALLY OPEN (STANDARD)

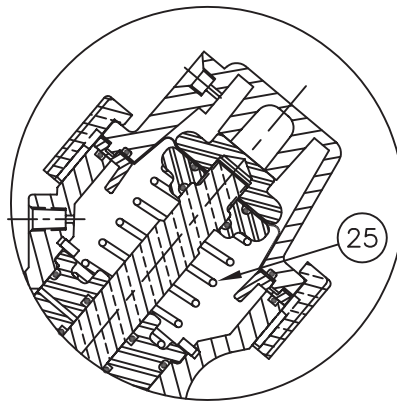
| | | | | | |
|--|----------------------|--|---------|-------------|---------|
| E | UPDATED O-RING P/N'S | 1635 | MSM | 23JAN06 | |
| REV | DESCRIPTION | ECO | DWN | DATE | APVD |
| | | 20580 Enterprise Avenue Brookfield, WI 53045 888.784.9065 www.Pentairwatertreatment.com | | | |
| SERIES 534 DIAPHRAGM VALVE STANDARD MODEL | | | | | |
| DRAWN | JWB | DATE | 11JUN01 | DRAWING NO. | 1084009 |



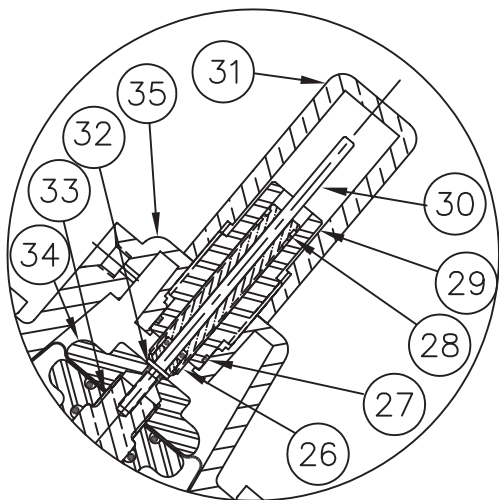
1070309 (K534-X210-14000)
LIMIT STOP



1071332 (K534-X202-14000)
SPRING ASSIST CLOSED



1071329 (K534-X201-14000)
SPRING ASSIST OPEN



K534-X221-14000
**LIMIT STOP/
POSITION INDICATOR**

| REPAIR PARTS KITS | |
|---|------------------|
| DESCRIPTION | PART NO. |
| INT. PARTS KIT (LIMIT STOP) CONSISTS OF ITEM NO'S 20 THRU 23 | 1075230 (534-LS) |
| INT. PARTS KIT (SPRING ASSIST CLOSED) CONSISTS OF ITEM NO. 25 | 1075233 (534-S) |
| INT. PARTS KIT (SPRING ASSIST OPEN) CONSISTS OF ITEM NO. 25 | 1075233 (534-S) |
| INT. PARTS KIT (LIMIT STOP/POS INDICATOR) CONSISTS OF ITEM NO'S 26 THRU 34 | 1075231 (534-PI) |

| CONVERSION KITS | |
|---|--------------------|
| DESCRIPTION | PART NO. |
| CONVERSION KIT (LIMIT STOP) CONSISTS OF ITEM NO'S 20 THRU 24 | 1071308 (K534-LSC) |
| CONVERSION KIT (SPRING ASSIST CLOSED) CONSISTS OF ITEM NO. 25 | 1075233 (534-S) |
| CONVERSION KIT (SPRING ASSIST OPEN) CONSISTS OF ITEM NO. 25 | 1075233 (534-S) |
| CONVERSION KIT (POSITION INDICATOR) CONSISTS OF ITEM NO'S 26 THRU 35 | 1071309 (K534-PIC) |

| NO. | DESCRIPTION | PART NO. | QTY. |
|--|---------------------|--------------------------|------|
| LIMIT STOP MODEL | | | |
| 20 | ADJUSTING SCREW | 1073373 (V534-576) | 1 |
| 21 | O-RING | BUNA N 1071668 (ORB-012) | 1 |
| | | FKM 1071787 (ORV-012) | |
| 22 | LS GUIDE | PVC 1073369 (V534-571) | 1 |
| | | CPVC 1073371 (V534-573) | |
| 23 | O-RING | BUNA N 1071673 (ORB-018) | 1 |
| | | FKM 1071790 (ORV-018) | |
| 24 | CAP | 1073345 (V534-420K) | 1 |
| SPRING ASSIST CLOSED MODEL & SPRING ASSIST OPEN MODEL | | | |
| 25 | SPRING | 1073340 (V534-170) | 1 |
| LIMIT STOP/ POSITION INDICATOR MODEL | | | |
| 26 | SCREW ASSY | 1081128 (V534-700) | 1 |
| 27 | O-RING | BUNA N 1071673 (ORB-018) | 1 |
| | | FKM 1071790 (ORV-018) | |
| 28 | O-RING | BUNA N 1071668 (ORB-012) | 1 |
| | | FKM 1071787 (ORV-012) | |
| 29 | LS/PI GUIDE | PVC 1073368 (V534-570) | 1 |
| | | CPVC 1073370 (V534-572) | |
| 30 | INDICATOR SHAFT | 1073367 (V534-555) | 1 |
| 31 | PI CLEAR CAP | 1073365 (V534-550) | 1 |
| 32 | O-RING | 1071666 (ORB-006) | 1 |
| 33 | SHAFT | PVC 1073362 (V534-535) | 1 |
| | | NORYL 1073363 (V534-536) | |
| 34 | UPPER DIA. PLATE | PVC 1073346 (V534-442) | 1 |
| | | NORYL 1073347 (V534-443) | |
| 35 | CAP | 1073345 (V534-420K) | 1 |

SEE REVERSE SIDE FOR
STANDARD NORMALLY OPEN MODEL

FORM NO. 1077689

| | | | | | |
|--|----------------------|--|-----|-------------|------|
| E | UPDATED O-RING P/N'S | 1635 | MSM | 23JAN06 | |
| REV | DESCRIPTION | ECO | DWN | DATE | APVD |
| | | 20580 Enterprise Avenue Brookfield, WI 53045 888.784.9065 www.Pentairwatertreatment.com | | | |
| SERIES 534 DIAPHRAGM VALVE STANDARD MODEL | | | | | |
| DRAWN | | DATE | | DRAWING NO. | |
| JWB | | 11JUN01 | | 1084009 | |