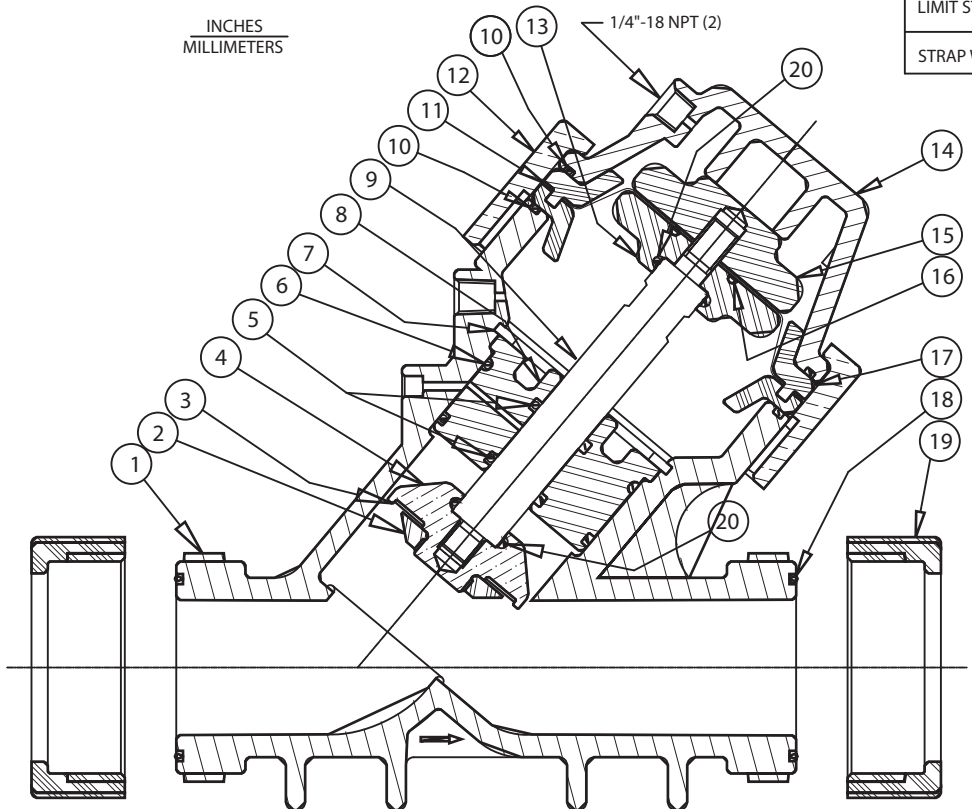


REPAIR PARTS KITS		
DESCRIPTION	PART NO.	
DIAPHRAGM & SEALS KIT CONSISTS OF ITEM NO'S 3,5,6,10,11,16,18	1070320 (535-RAE)	1070328 (535-RAJ)
	E.P.D.M. INCLUDES DIAPHRAGM	BUTYL INCLUDES DIAPHRAGM
	1073399 (V535-100)	1073399 (V535-100)
INT. PARTS KIT CONSISTS OF ITEM NO'S 2,4,7,8,9,13,15,17	1082191 (535-RAVFB)	
	FKM INCLUDES DIAPHRAGM 1073399 (V535-100)	

ASSEMBLY TOOLS	
DESCRIPTION	PART NO.
LIMIT STOP TOOL (TOOL NOT SHOWN)	1073556 (V560-579)
STRAP WRENCH (TOOL NOT SHOWN)	1073557 (V560-581)

NO.	DESCRIPTION	PART NO.	QTY.
1	BODY	1073407 (V535-410K)	1
2	DISC PLATE	PVC 1073396 (V535-093)	1
		NORYL 1073397 (V535-094)	
3	DISC	E.P.D.M. 1073401 (V535-110)	1
		BUTYL 1073402 (V535-111)	
		FKM 1073403 (V535-112)	
4	DISC HOLDER	PVC 1073416 (V535-500)	1
		NORYL 1073417 (V535-501)	
5	O-RING	E.P.D.M. 1242719 (ORE-212)	2
		BUTYL 1071777 (ORJ-212)	
		FKM 1242395 (ORV-212)	
6	O-RING	E.P.D.M. 1071753 (ORE-232)	2
		BUTYL 1071783 (ORJ-232)	
		FKM 1071825 (ORV-232)	
7	RETAINING RING	1073434 (V535-593)	1
8	SHAFT GUIDE	PVC 1073413 (V535-491)	1
		NORYL 1073414 (V535-492)	
9	SHAFT	PVC 1073439 (V535-702)	1
		NORYL 1073440 (V535-704)	
10	O-RING	BUNA 1071712 (ORB-248)	2
		FKM 1071833 (ORV-248)	
11	DIAPHRAGM	BUNA 1073399 (V535-100)	1
		FKM 1073400 (V535-101)	
12	CAP RETAINER NUT	1073383 (V535-030K)	1
13	LOWER DIA. PLATE	PVC 1073386 (V535-045)	1
		NORYL 1073387 (V535-046)	
14	CAP	1073382 (V535-020K)	1
15	UPPER DIA. PLATE	PVC 1073384 (V535-040)	1
		NORYL 1073385 (V535-041)	
16	O-RING	BUTYL 1076766 (ORB-214)	1
		FKM 1071817 (ORV-214)	
17	DIAPHRAGM SUPPORT	1073425 (V535-551K)	2
18	O-RING	E.P.D.M. 1071752 (ORE-231)	2
		BUTYL 1071782 (ORJ-231)	
		FKM 1071824 (ORV-231)	
19	SOCKET RETAINING NUT	1073395 (V535-080K)	2
20	O-RING	E.P.D.M. 1071745 (ORE-212)	2
		BUTYL 1071777 (ORJ-212)	
		FKM 1071816 (ORV-212)	



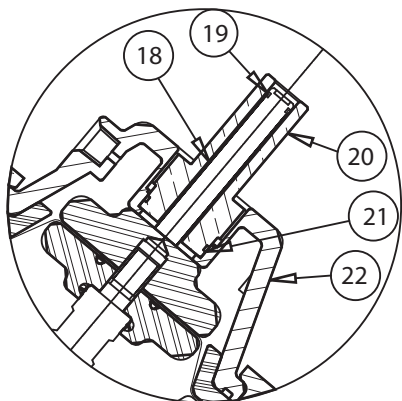
NOTE:
CONNECTORS NOT FURNISHED WITH VALVE.
SEE DWG. NO. 1078165 FOR FEMALE SOCKET
WELD CONNECTORS.

SEE REVERSE SIDE FOR CONFIGURATION OPTIONS

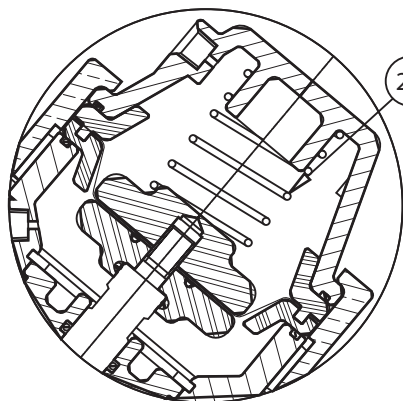
1070312 (K535-X200-14000)
NORMALLY OPEN (STANDARD)

FORM NO. 1077690

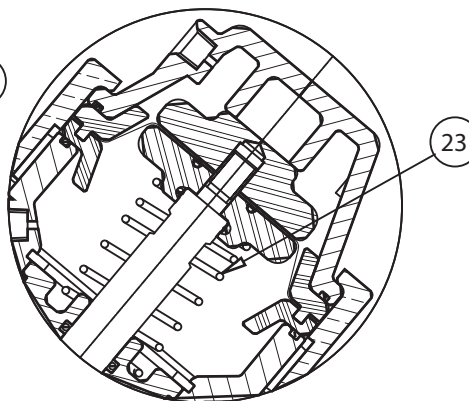
F	CORRECTED SAO & SAC KIT P/N'S	NONE	MSM	29MAR06	SMN
REV	DESCRIPTION	ECO	DWN	DATE	APVD
		20580 Enterprise Avenue Brookfield, WI 53045 888.784.9065 www.Pentairwatertreatment.com			
SERIES 535 DIAPHRAGM VALVE STANDARD MODEL					
DRAWN	JWB	DATE	21JUN01	DRAWING NO. 1084010	



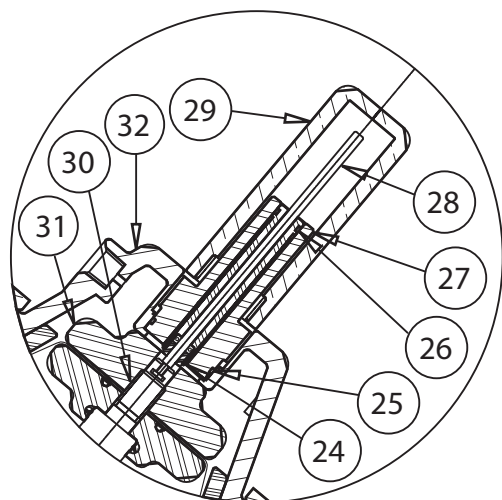
1070313 (K535-X210-14000)
LIMIT STOP



1071367 (K535-X202-14000)
SPRING ASSIST CLOSED



1071365 (K535-X201-14000)
SPRING ASSIST OPEN



K535-X221-14000
**LIMIT STOP/
POSITION INDICATOR**

REPAIR PARTS KITS	
DESCRIPTION	PART NO.
INT. PARTS KIT (LIMIT STOP) CONSISTS OF ITEM NO'S 18 THRU 21	1075234 (535-LS)
INT. PARTS KIT (SPRING ASSIST CLOSED) CONSISTS OF ITEM NO. 23	1075236 (535-S)
INT. PARTS KIT (SPRING ASSIST OPEN) CONSISTS OF ITEM NO. 23	1075236 (535-S)
INT. PARTS KIT (LIMIT STOP/POS INDICATOR) CONSISTS OF ITEM NO'S 24 THRU 31	1075235 (535-PI)

CONVERSION KITS	
DESCRIPTION	PART NO.
CONVERSION KIT (LIMIT STOP) CONSISTS OF ITEM NO'S 18 THRU 22	1071343 (K535-LSC)
CONVERSION KIT (SPRING ASSIST CLOSED) CONSISTS OF ITEM NO. 23	1075236 (535-S)
CONVERSION KIT (SPRING ASSIST OPEN) CONSISTS OF ITEM NO. 23	1075236 (535-S)
CONVERSION KIT (POSITION INDICATOR) CONSISTS OF ITEM NO'S 24 THRU 32	1071344 (K535-PIC)

NO.	DESCRIPTION	PART NO.	QTY.
LIMIT STOP MODEL			
18	ADJUSTING SCREW	1073432 (V535-576)	1
19	O-RING	BUNA N 1071668 (ORB-012)	1
		FKM 1071787 (ORV-012)	
20	LS GUIDE	PVC 1073428 (V535-571)	1
		CPVC 1073430 (V535-573)	
21	O-RING	BUNA N 1071676 (ORB-024)	1
		FKM 1071791 (ORV-024)	
22	CAP	1073408 (V535-420K)	1
SPRING ASSIST CLOSED MODEL & SPRING ASSIST OPEN MODEL			
23	SPRING	1073404 (V535-170)	1
LIMIT STOP/ POSITION INDICATOR MODEL			
24	SCREW ASSY	1073437 (V535-700)	1
25	O-RING	BUNA N 1071676 (ORB-024)	1
		FKM 1071791 (ORV-024)	
26	O-RING	BUNA N 1071668 (ORB-012)	1
		FKM 1071787 (ORV-012)	
27	LS/PI GUIDE	PVC 1073427 (V535-570)	1
		CPVC 1073429 (V535-572)	
28	INDICATOR SHAFT	1073426 (V535-555)	1
29	PI CLEAR CAP	1073424 (V535-550)	1
30	SHAFT	PVC 1073438 (V535-701)	1
		NORYL 1073441 (V535-706)	
31	UPPER DIA. PLATE	PVC 1073409 (V535-442)	1
		NORYL 1073410 (V535-443)	
32	CAP	1073408 (V535-420K)	1

SEE REVERSE SIDE FOR
STANDARD NORMALLY OPEN MODEL

FORM NO. 1077690

F	CORRECTED SAO & SAC KIT P/N'S	NONE	MSM	29MAR06	SMN
REV	DESCRIPTION	ECO	DWN	DATE	APVD
		20580 Enterprise Avenue Brookfield, WI 53045 888.784.9065 www.Pentairwatertreatment.com			
SERIES 535 DIAPHRAGM VALVE STANDARD MODEL					
DRAWN	JWB	DATE	21JUN01	DRAWING NO.	1084010