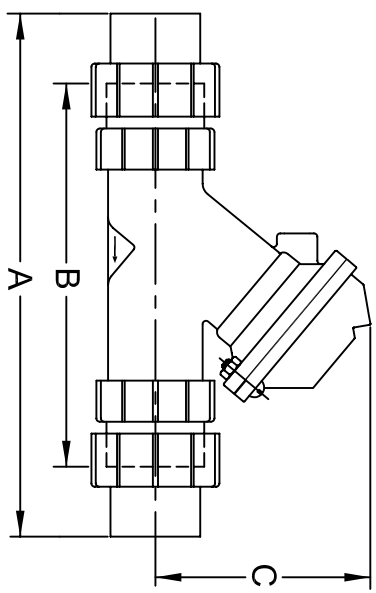
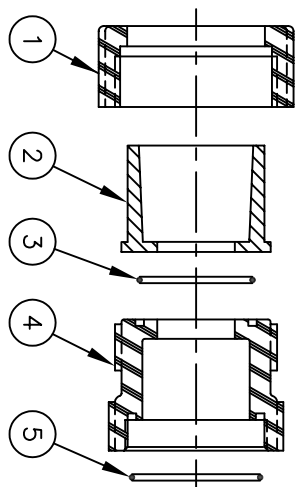


FEMALE SOCKET WELD END CONNECTOR

VALVE SERIES	STANDARD	DIAMETER A	DEPTH B	TAPER C
520	A.S.T.M. 1/2"	.848/.856"	.875"	0°, 24'
	I.S.O. NW-15	20.1/20.3 MM	22.2 MM	0°, 15'
	J.I.S. 16	21.9/22.3 MM	22.2 MM	0°, 19'
521	A.S.T.M. 1"	1.325/1.335"	1.125"	0°, 23'
	I.S.O. NW-25	32.1/32.3 MM	28.6 MM	0°, 15'
524	A.S.T.M. 1-1/2"	1.912/1.924"	1.375"	0°, 23'
	I.S.O. NW-40	50.1/50.3 MM	34.9 MM	0°, 15'
	J.I.S. 40	47.9/48.5 MM	34.9 MM	0°, 16'



VALVE SERIES	UNITS	LENGTH A	LENGTH B	HEIGHT C
520	INCHES	7.00	4.87	2.62
	MM	177.8	123.7	66.5
521	INCHES	9.00	6.31	4.06
	MM	228.6	160.3	103.1
524	INCHES	12.50	9.31	5.06
	MM	317.5	23.5	128.5



UNION END ADAPTOR

SERIES 520 UNION END ADAPTOR KITS

A.S.T.M. 1/2"	E.P.D.M. O-RING	1070184	K520400
INCLUDES	BUTYL O-RING	1070185	K520404
ITEMS 1,2,3,4,5	FKM O-RING	1070186	K520402
I.S.O. NW-15	E.P.D.M. O-RING	1070190	K520403
INCLUDES	BUTYL O-RING	1070191	K520404
ITEMS 1,2,3,4,5	FKM O-RING	1070192	K520405
J.I.S. - 16	E.P.D.M. O-RING	1070193	K520406
INCLUDES	BUTYL O-RING	1070194	K520407
ITEMS 1,2,3,4,5	FKM O-RING	1070195	K520408

SERIES 521 UNION END ADAPTOR KITS

A.S.T.M. 1"	E.P.D.M. O-RING	1070202	K521400
INCLUDES	BUTYL O-RING	1070153	K521401
ITEMS 1,2,3,4,5	FKM O-RING	1070154	K521402
I.S.O. NW-25	E.P.D.M. O-RING	1070205	K521403
INCLUDES	BUTYL O-RING	1071155	K521404
ITEMS 1,2,3,4,5	FKM O-RING	1071156	K521405
J.I.S. - 25	E.P.D.M. O-RING	1070205	K521406
INCLUDES	BUTYL O-RING	1071157	K521407
ITEMS 1,2,3,4,5	FKM O-RING	1071158	K521408

SERIES 524 UNION END ADAPTOR KITS

A.S.T.M. 1-1/2"	E.P.D.M. O-RING	1070208	K524400
INCLUDES	BUTYL O-RING	1071220	K524401
ITEMS 1,2,3,4,5	FKM O-RING	1070209	K524402
I.S.O. NW-40	E.P.D.M. O-RING	1070212	K524403
INCLUDES	BUTYL O-RING	1071221	K524404
ITEMS 1,2,3,4,5	FKM O-RING	1070213	K524405
J.I.S. - 40	E.P.D.M. O-RING	1070214	K524406
INCLUDES	BUTYL O-RING	1071222	K524407
ITEMS 1,2,3,4,5	FKM O-RING	1070215	K524408

NOTE: ALL ADAPTOR KITS CONTAIN (2) ADAPTORS, (ONE KIT REQ'D PER VALVE)

NO.	DESCRIPTION	PART NO.
-----	-------------	----------

SERIES 520 UNION END ADAPTOR

1	TAILPIECE NUT	107495	520040K	
2	FEMALE SOCKET WELD END CONNECTOR	A.S.T.M. 1/2"	1074891	520007
		I.S.O. NW-15	107492	520008
3	O-RING	J.I.S. 16	107493	520009
		E.P.D.M.	107120	0RE-117
4	TAILPIECE	BUTYL	107166	0R-117
		FKM	107801	0R-117
5	O-RING	E.P.D.M.	107121	0RE-120
		BUTYL	107167	0R-120
	FKM	107802	0R-120	

SERIES 521 UNION END ADAPTOR

1	TAILPIECE NUT	1075067	521000K	
2	FEMALE SOCKET WELD END CONNECTOR	A.S.T.M. 1"	1075061	521007
		I.S.O. NW-25	1075063	521008
3	O-RING	J.I.S. 25	1075065	521009
		E.P.D.M.	107172	0RE-125
4	TAILPIECE	BUTYL	107168	0R-125
		FKM	107803	0R-125
5	O-RING	E.P.D.M.	107173	0RE-128
		BUTYL	107169	0R-128
	FKM	107804	0R-128	

SERIES 524 UNION END ADAPTOR

1	TAILPIECE NUT	1075150	524000K	
2	FEMALE SOCKET WELD END CONNECTOR	A.S.T.M. 1-1/2"	1075144	524007
		I.S.O. NW-40	1075146	524008
3	O-RING	J.I.S. 40	1075148	524009
		E.P.D.M.	1071735	0RE-137
4	TAILPIECE	BUTYL	107171	0R-137
		FKM	107807	0R-137
5	O-RING	E.P.D.M.	1071736	0RE-138
		BUTYL	107172	0R-138
	FKM	107808	0R-138	

SEE FORM 1078152 FOR SOCKET WELD & FLANGED ADAPTORS

FORM NO. 1081309

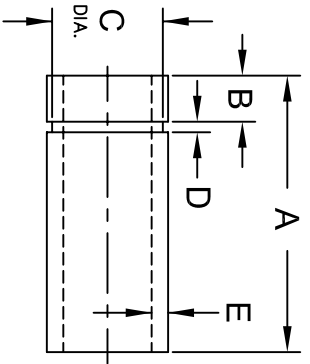
A	RELEASE NEW DESIGN	1416	JWB	25JUL01	VP
REV	DESCRIPTION	ECO	DWN	DATE	APVD



20580 Enterprise Avenue
Brookfield, WI 53045
888.784.9065
www.PentairWaterTreatment.com

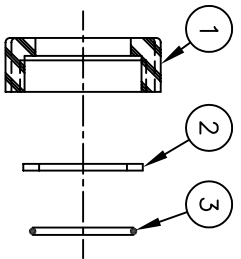
SERIES 520, 521 & 524 DIAPHRAGM VALVE END CONNECTOR PARTS & KITS

SCALE	DRAWN	DATE	DWG. NO.
N/A	JWB	25JUL01	1078140



RING GROOVE DIMENSIONS

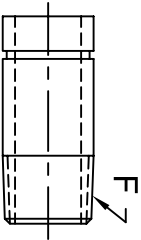
VALVE SERIES	UNITS	LENGTH A	LOCATION B	DIA. C	WIDTH D	WALL THK E
520	INCHES	2.25	0.500	0.730	0.115	0.147
	MM	57.2	12.7	18.5	2.9	3.7
521	INCHES	3.00	0.500	1.200	0.115	0.179
	MM	76.2	12.7	30.5	2.9	4.55
524	INCHES	4.00	0.875	1.800	0.115	0.200
	MM	57.2	22.2	45.7	2.9	5.1



RETAINER NUT/SPLIT RING CONNECTOR

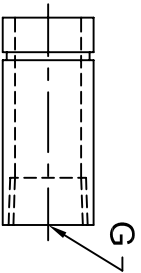
VALVE SERIES	520	521	524
1 RETAINER NUT	1074974 -520-MK	1075041 -521-MK	1075112 -524-MK
2 SPLIT RING	1074975 -520-N	1075042 -521-N	1075113 -524-N
	E.P.D.M.	1071730 -0RC-117	1071732 -0RC-128
	BUTYL	1071766 -0RM-117	1071768 -0RM-128
3 O-RING	FKM	1071801 -0RM-117	1071803 -0RM-128
		1071805 -0RM-128	1071806 -0RM-132

GROOVED ADAPTOR KITS



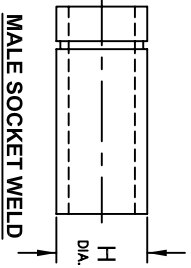
MALE PIPE THREAD

VALVE SERIES	520	521	524
PART NO.	1070221 -K520-P	1070227 -K521-P	1070233 -K524-P
DIM. F	1/2" NPT	1" NPT	1-1/2" NPT



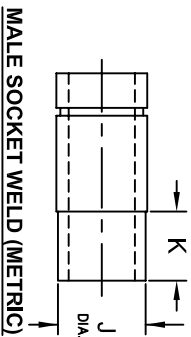
FEMALE PIPE THREAD

VALVE SERIES	520	521	524
PART NO.	1070222 -K520-PA	1070228 -K521-PA	1070234 -K524-PA
DIM. G	3/8" NPT	3/4" NPT	1-1/4" NPT
			1-1/4" BSP



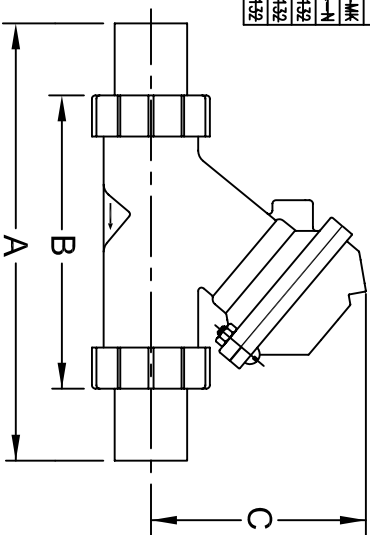
MALE SOCKET WELD

VALVE SERIES	520	521	524
PART NO.	1070220 -K520-PB	1070226 -K521-PB	1070232 -K524-PB
DIM. H	0.840 IN. 21.3 MM	1.315 IN. 33.4 MM	1.900 IN. 48.3 MM



MALE SOCKET WELD (METRIC)

VALVE SERIES	520	521	524
PART NO.	1071057 -K520-PE	1071091 -K521-PE	1071162 -K524-PE
DIM. J	20.2 MM	32.2 MM	50.2 MM
DIM. K	15.9 MM	25.4 MM	30.0 MM



NOTE: ALL CONNECTOR KITS CONTAIN (2) CONNECTORS, (ONE KIT REQ'D PER VALVE)

RETAINER NUT/SPLIT RING CONNECTOR KITS

SERIES 520 INCLUDES ITEMS 1,2,3	E.P.D.M. O-RING	1070238	K520+09
	BUTYL O-RING	1070239	K520+10
	FKM O-RING	1070240	K520+11
SERIES 521 INCLUDES ITEMS 1,2,3	E.P.D.M. O-RING	1070244	K521+09
	BUTYL O-RING	1071159	K521+10
	FKM O-RING	1071160	K521+11
SERIES 524 INCLUDES ITEMS 1,2,3	E.P.D.M. O-RING	1070246	K524+09
	BUTYL O-RING	1071223	K524+10
	FKM O-RING	1070247	K524+11

VALVE SERIES	UNITS	LENGTH A	LENGTH B	HEIGHT C
520	INCHES	7.00	3.93	2.62
	MM	177.8	99.8	66.5
521	INCHES	9.00	4.50	4.06
	MM	228.6	114.3	103.1
524	INCHES	13.25	7.75	5.06
	MM	336.5	196.9	128.5

SEE FORM 1078152 FOR SOCKET WELD & FLANGED ADAPTORS
FORM NO. 1081309

A	RELEASE NEW DESIGN	1416	JB	25JUL01	VP
REV	DESCRIPTION <td>ECO</td> <td>DWN</td> <td>DATE</td> <td>APVD</td>	ECO	DWN	DATE	APVD



20580 Enterprise Avenue
Brookfield, WI 53045
888.784.9065
www.Pentairwater.com

SERIES 520, 521 & 524 DIAPHRAGM VALVE
END CONNECTOR PARTS & KITS

SCALE	DRAWN	DATE	DWG. NO.
N/A	JWB	25JUL01	1078140