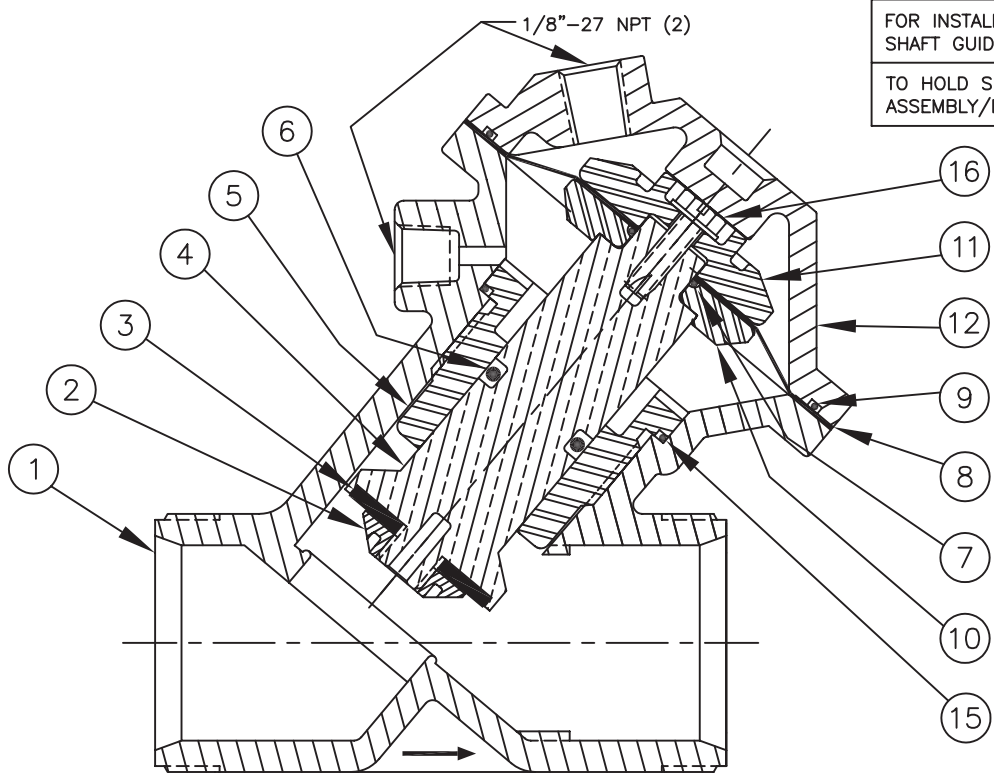


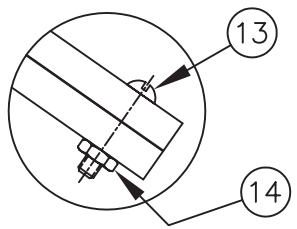
REPAIR PARTS KITS		
DESCRIPTION	PART NO.	
DIAPHRAGM & SEALS KIT CONSISTS OF ITEM NO'S 3,6,7,8,9,15	1081792 (521-RAN)	1081791 (521-RAN)
	E.P.D.M. BUTYL	
	INCLUDES DIAPHRAGM	
	1075028 (521-FB)	1075028 (521-FB)
INT. PARTS KIT (NORM. OPEN) CONSISTS OF ITEM NO'S 2,4,5,10,11,16	1081796 (521-RAWN)	1081795 (521-RAWN)
	FKM INCLUDES DIAPHRAGM	
	1075028 (521-FB)	1075029 (521-FV)

ASSEMBLY TOOLS	
DESCRIPTION	PART NO.
FOR INSTALLATION & REMOVAL OF SHAFT GUIDE (ITEM #5)	1075059 (521-Z)
TO HOLD SHAFT (ITEM #4) DURING ASSEMBLY/DISASSEMBLY	1077837

NO.	DESCRIPTION	PART NO.	QTY.
1	BODY	1075007 (521-AK)	1
2	DISC PLATE NUT	1075845	1
3	DISC	E.P.D.M.	1077814
		BUTYL	1077815
		FKM	1077816
4	SHAFT	1075842	1
5	SHAFT GUIDE (NORYL)	1075030 (521-GN)	1
6	O-RING	E.P.D.M.	1242717 (ORJ-208)
		BUTYL	1071775 (ORJ-208)
		FKM	1242393 (ORJ-208)
7	O-RING	E.P.D.M.	1071718 (ORE-014)
8	DIAPH.	BUNA N	1075028 (521-FB)
		FKM	1075029 (521-FV)
9	O-RING	BUNA N	1071715 (ORB-805)
10	LWR DIAPH. PLATE	1075844	1
11	UPR DIAPH. PLATE	1075843	1
12	CAP	1075012 (521-BOK)	1
13	RD. HD. MACH. SCR.	1072380 (SCS-0095)	8
14	HEX NUT	1071648 (NUS-0006)	8
15	QUAD-RING	ETH. PROP.	1071942 (QRE-029)
		BUTYL	1071943 (QRJ-029)
		FKM	1071944 (QRV-029)
16	SCREW	1077783	1



UPDATED O-RING P/N'S 1635



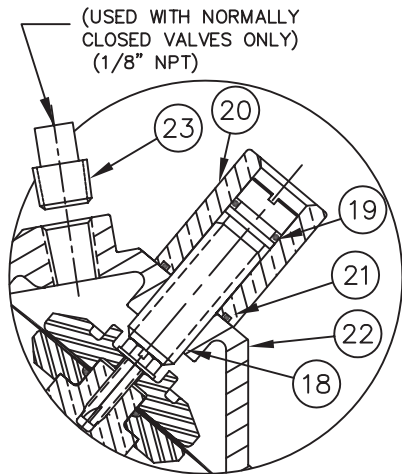
SEE FORM 1078142 FOR UNION END CONNECTORS AND GROOVED ADAPTORS

SEE REVERSE SIDE FOR CONFIGURATION OPTIONS

FORM NO. 1077654

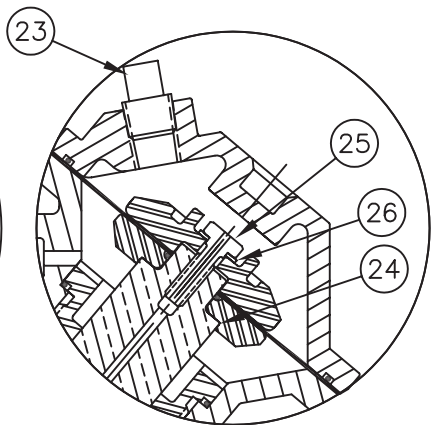
1070154 (K521-X200-14000)  
**NORMALLY OPEN (STANDARD)**

F	UPDATED O-RING P/N'S	1635	MSM	12JAN06	
REV	DESCRIPTION	ECO	DWN	DATE	APVD
<p>20580 Enterprise Avenue Brookfield, WI 53045 888.784.9065 www.Pentairwatertreatment.com</p>					
<b>SERIES 521 DIAPHRAGM VALVE</b> <b>3/4" &amp; 1" PIPE SIZE</b>					
DRAWN	JWB	DATE	25Apr01	DRAWING NO.	1084003



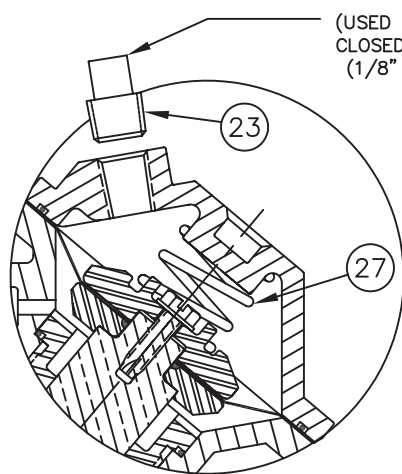
1070155 (K521-X210-14000)

**LIMIT STOP**



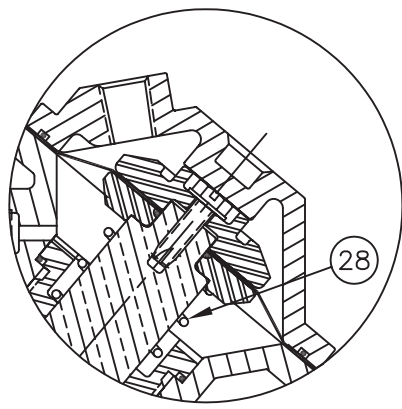
1070159 (K521-X230-14000)

**NORMALLY CLOSED**



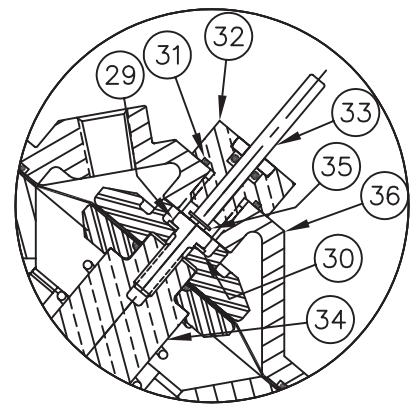
1070157 (K521-X202-14000)

**SPRING ASSIST CLOSED**



1070158 (K521-X201-14000)

**SPRING ASSIST OPEN**



1071143 (K521-X221-14000)

**POSITION INDICATOR**

(USED WITH NORMALLY CLOSED VALVES ONLY)  
(1/8" NPT)

NO.	DESCRIPTION	PART NO.	QTY.
<b>LIMIT STOP MODEL</b>			
18	ADJUSTING SCREW	1075058 (521-Y)	1
19	O-RING	BUNA N 1071668 (ORB-012)	1
20	LIMIT STOP HOUSING	1075057 (521-X)	1
21	O-RING	BUNA N 1071671 (ORB-016)	1
22	CAP	1075010 (521-BBOK)	1
<b>NORMALLY CLOSED MODEL</b>			
23	PIPE PLUG (1/8" NPT)	1071912 (PLP-0006)	1
24	SHAFT (N.C.)	1077909	1
25	SCREW	1077830	1
26	LOCKWASHER (NO. 10)	1078992	1
<b>SPRING ASSIST CLOSED MODEL</b>			
27	SPRING (ASSIST CLOSED)	1075051 (521-S)	1
<b>SPRING ASSIST OPEN MODEL</b>			
28	SPRING (ASSIST OPEN)	1236766	1
<b>POSITION INDICATOR MODEL</b>			
29	SCREW	1077832	1
30	LOCKWASHER (NO. 10)	1078992	1
31	O-RING	BUNA N 1071671 (ORB-016)	1
32	GUIDE HOUSING ASSY	1075037 (521-KA)	1
33	INDICATOR SHAFT	1078062	1
34	SHAFT	1077911	1
35	RETAINING RING	1076200	1
36	CAP	1075010 (521-BBOK)	1

NOTE:

1. POSITION INDICATOR MODEL CANNOT BE COMBINED WITH NORMALLY CLOSED OR LIMIT STOP OPTIONS.
2. POSITION INDICATOR MODEL FURNISHED WITH SPRING ASSIST OPEN OPTION.

SEE FORM 1078142 FOR UNION END CONNECTORS AND GROOVED ADAPTORS

SEE SHEET K521-1F FOR STANDARD NORMALLY OPEN MODEL

FORM NO. 1077654

<b>CONVERSION KITS</b>	
DESCRIPTION	PART NO.
CONVERSION KIT (LIMIT STOP) CONSISTS OF ITEM NO'S 18 THRU 22	1071090 (K521-LSC)
CONVERSION KIT (SPRING ASSIST CLOSED) CONSISTS OF ITEM NO. 27	1075054 (521-SC)
CONVERSION KIT (SPRING ASSIST OPEN) CONSISTS OF ITEM NO. 28	1075055 (521-SO)
CONVERSION KIT (POSITION INDICATOR) CONSISTS OF ITEM NO'S 29 THRU 36	1079620 (K521-PICN)

<b>REPAIR PARTS KITS</b>	
DESCRIPTION	PART NO.
INT. PARTS KIT (LIMIT STOP) CONSISTS OF ITEM NO'S 18 THRU 21	1075040 (521-LS)
INT. PARTS KIT (NORM. CLOSED) CONSISTS OF ITEM NO'S 2,5,10,11,24,25,26	1079622 (K521-RGN)
INT. PARTS KIT (SPRING ASSIST CLOSED) CONSISTS OF ITEM NO. 27	1075054 (521-SC)
INT. PARTS KIT (SPRING ASSIST OPEN) CONSISTS OF ITEM NO. 28	1075055 (521-SO)
INT. PARTS KIT (POSITION INDICATOR) CONSISTS OF ITEM NO'S 29 THRU 35	1081790 (521-PIN)

F	UPDATED O-RING P/N'S	1635	MSM	12JAN06	
REV	DESCRIPTION	ECO	DWN	DATE	APVD
20580 Enterprise Avenue Brookfield, WI 53045 888.784.9065 www.Pentairwatertreatment.com					
<b>SERIES 521 DIAPHRAGM VALVE</b>					
<b>OPTIONAL MODELS</b>					
DRAWN	JWB	DATE	25Apr01	DRAWING NO.	1084003