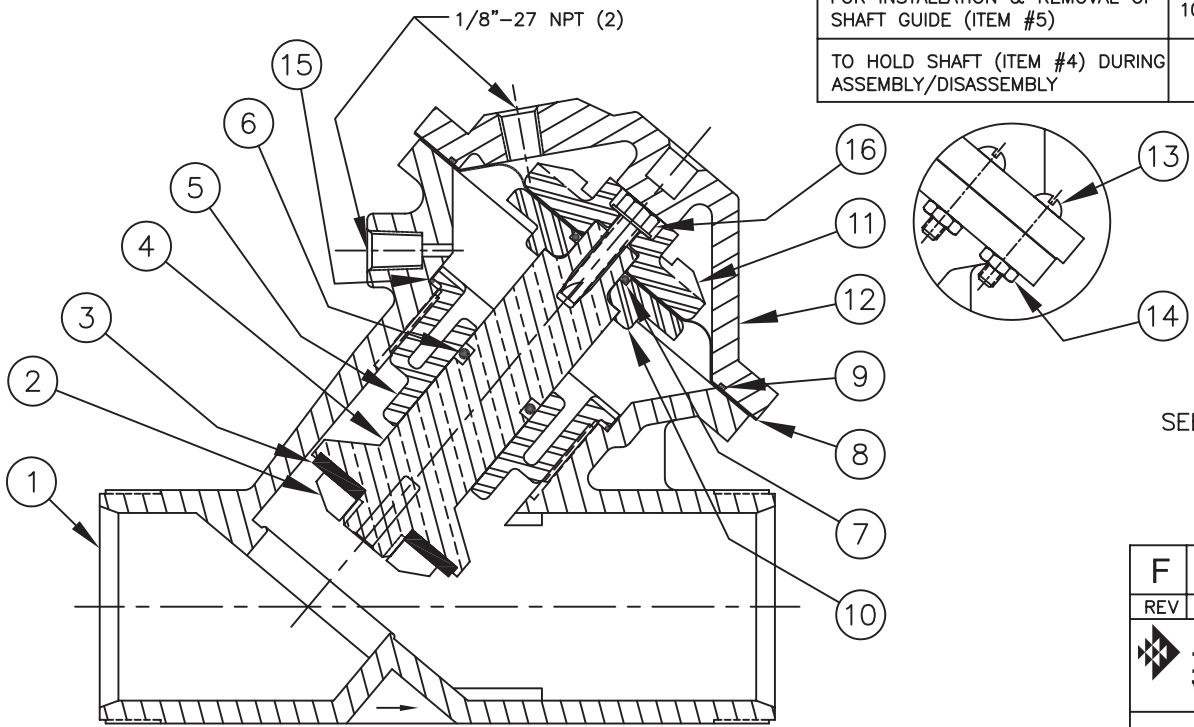


REPAIR PARTS KITS		
DESCRIPTION	PART NO.	
DIAPHRAGM & SEALS KIT CONSISTS OF ITEM NO'S 3,6,7,8,9,15	1070274 (524-RAN)	1077592 (524-RAJN)
	E.P.D.M. INCLUDES DIAPHRAGM	BUTYL INCLUDES DIAPHRAGM
	1075104 (524-FB)	1075104 (524-FB)
	1070290 (524-RAWN)	1077593 (524-RAWFN)
VITON INCLUDES DIAPHRAGM	VITON INCLUDES DIAPHRAGM	
1075104 (524-FB)	1075105 (524-FV)	
INT. PARTS KIT (NORM. OPEN) CONSISTS OF ITEM NO'S 2,4,5,10,11,16	1070298 (K524-RFN)	

ASSEMBLY TOOLS	
DESCRIPTION	PART NO.
FOR INSTALLATION & REMOVAL OF SHAFT GUIDE (ITEM #5)	1075143 (524-Z)
TO HOLD SHAFT (ITEM #4) DURING ASSEMBLY/DISASSEMBLY	1077837

NO.	DESCRIPTION	PART NO.	QTY.
1	BODY	1075079 (524-AK)	1
2	DISC PLATE	1076198	1
3	DISC	E.P.D.M.	1075107 (524-J)
		BUTYL	1075108 (524-JJ)
		VITON	1075109 (524-JV)
4	SHAFT	1076205	1
5	SHAFT GUIDE	1075106 (524-GK)	1
6	O-RING	E.P.D.M.	1242718 (ORE-210TC)
		BUTYL	1071776 (ORJ-210)
		VITON	1242394 (ORV-210)
7	O-RING	E.P.D.M.	1071728 (ORE-113)
8	DIAPH.	BUNA N	1078393
		VITON	1075105 (524-FV)
9	O-RING	BUNA N	1071686 (ORB-043)
10	LWR DIAPH. PLATE	1076197	1
11	UPR DIAPH. PLATE	1076196	1
12	CAP	1075086 (524-BOK)	1
13	RD. HD. MACH. SCR.	1072381 (SCS-0097)	12
14	HEX NUT	1071648 (NUS-0006)	12
15	O-RING	ETH. PROP.	1071735 (ORE-137)
		BUTYL	1071771 (ORJ-137)
		VITON	1071807 (ORV-137)
16	SCREW	1077101 (SCS-0168)	1



SEE FORM 1078142 FOR UNION END CONNECTORS AND GROOVED ADAPTORS

SEE FORM 1078152 FOR SOCKET WELD ENDS AND FLANGED ADAPTORS

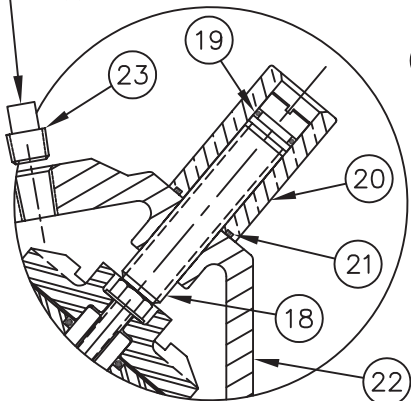
SEE REVERSE SIDE FOR CONFIGURATION OPTIONS

FORM NO. 1077655

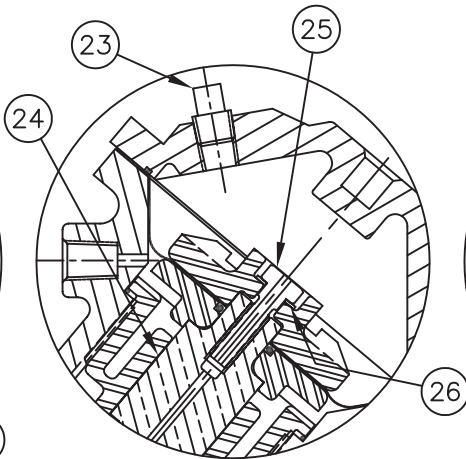
F	UPDATED O-RING P/N'S	1635	MSM	13JAN06	
REV	DESCRIPTION	ECO	DWN	DATE	APVD
<p>20580 Enterprise Avenue Brookfield, WI 53045 888.784.9065 www.Pentairwatertreatment.com</p>					
<p>SERIES 524 DIAPHRAGM VALVE STANDARD MODEL</p>					
DRAWN	JWB	DATE	24MAY01	DRAWING NO.	1084004

1070168 (K524-X200-14000)
NORMALLY OPEN (STANDARD)

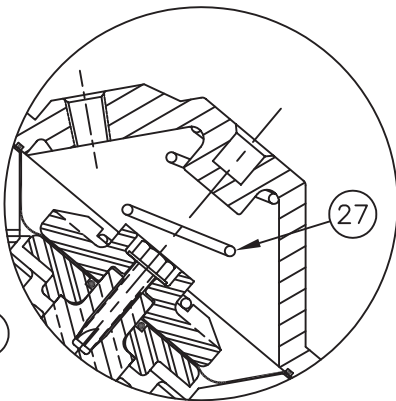
(USED WITH NORMALLY CLOSED VALVES ONLY)
(1/8" NPT)



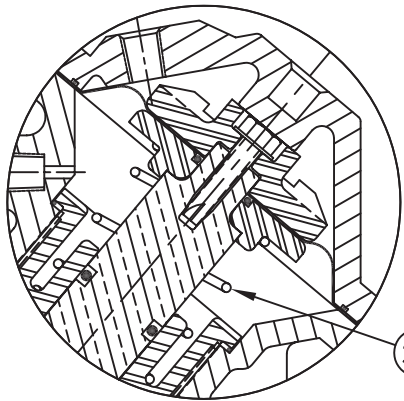
1070170 (K524-X210-14000)
LIMIT STOP



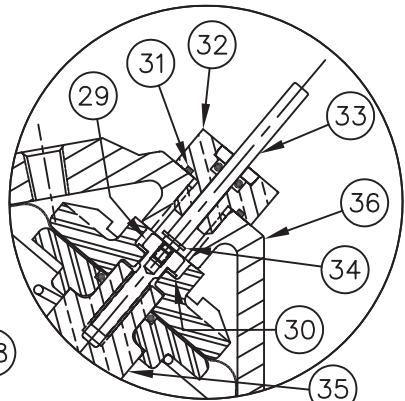
1070172 (K524-X230-14000)
NORMALLY CLOSED



1070171 (K524-X202-14000)
SPRING ASSIST CLOSED



1070169 (K524-X201-14000)
SPRING ASSIST OPEN



1071209 (K524-X221-14000)
POSITION INDICATOR

NOTE:

1. POSITION INDICATOR MODEL CANNOT BE COMBINED WITH NORMALLY CLOSED OR LIMIT STOP OPTIONS.
2. POSITION INDICATOR MODEL FURNISHED WITH SPRING ASSIST OPEN OPTION.

SEE FORM 1078142 FOR UNION END CONNECTORS AND GROOVED ADAPTORS

SEE FORM 1078152 FOR SOCKET WELD ENDS AND FLANGED ADAPTORS

SEE REVERSE SIDE FOR STANDARD NORMALLY OPEN MODEL

NO.	DESCRIPTION	PART NO.	QTY.
LIMIT STOP MODEL			
18	ADJUSTING SCREW	1075142 (524-Y)	1
19	O-RING BUNA N	1071668 (ORB-012)	1
20	LIMIT STOP HOUSING	1075141 (524-X)	1
21	O-RING BUNA N	1071671 (ORB-016)	1
22	CAP	1075083 (524-BBOK)	1
NORMALLY CLOSED MODEL			
23	PIPE PLUG (1/8" NPT)	1071912 (PLP-0006)	1
24	SHAFT (N.C.)	1076238	1
25	SCREW	1076204	1
26	LOCKWASHER (NO. 1/4")	1078993	1
SPRING ASSIST CLOSED MODEL			
27	SPRING (ASSIST CLOSED)	1267398	1
SPRING ASSIST OPEN MODEL			
28	SPRING (ASSIST OPEN)	1078692	1
POSITION INDICATOR MODEL			
29	SCREW	1076203	1
30	LOCKWASHER (NO. 1/4")	1078993	1
31	O-RING BUNA N	1071671 (ORB-016)	1
32	GUIDE HOUSING ASSY	1075037 (521-KA)	1
33	INDICATOR SHAFT	1076199	1
34	RETAINING RING	1076200	1
35	SHAFT	1076239	1
36	CAP	1075083 (524-BBOK)	1

FORM NO. 1077655

CONVERSION KITS	
DESCRIPTION	PART NO.
CONVERSION KIT (LIMIT STOP) CONSISTS OF ITEM NO'S 18 THRU 22	1071161 (K524-LSC)
CONVERSION KIT (SPRING ASSIST CLOSED) CONSISTS OF ITEM NO. 27	1075124 (524-SC)
CONVERSION KIT (SPRING ASSIST OPEN) CONSISTS OF ITEM NO. 28	1075125 (524-SO)
CONVERSION KIT (POSITION INDICATOR) CONSISTS OF ITEM NO'S 29 THRU 36	1079643 (K524-PICN)

REPAIR PARTS KITS	
DESCRIPTION	PART NO.
INT. PARTS KIT (LIMIT STOP) CONSISTS OF ITEM NO'S 18 THRU 21	1075111 (524-LS)
INT. PARTS KIT (NORM. CLOSED) CONSISTS OF ITEM NO'S 2,5,10,11,24,25,26	1076307 (K524-RGN)
INT. PARTS KIT (SPRING ASSIST CLOSED) CONSISTS OF ITEM NO. 27	1075124 (524-SC)
INT. PARTS KIT (SPRING ASSIST OPEN) CONSISTS OF ITEM NO. 28	1075125 (524-SO)
INT. PARTS KIT (POSITION INDICATOR) CONSISTS OF ITEM NO'S 29 THRU 35	1077591 (524-PIN)

F	UPDATED O-RING P/N'S	1635	MSM	13JAN06	
REV	DESCRIPTION	ECO	DWN	DATE	APVD
		20580 Enterprise Avenue Brookfield, WI 53045 888.784.9065 www.Pentairwatertreatment.com			
SERIES 524 DIAPHRAGM VALVE STANDARD MODEL					
DRAWN	JWB	DATE	24MAY01	DRAWING NO.	1084004