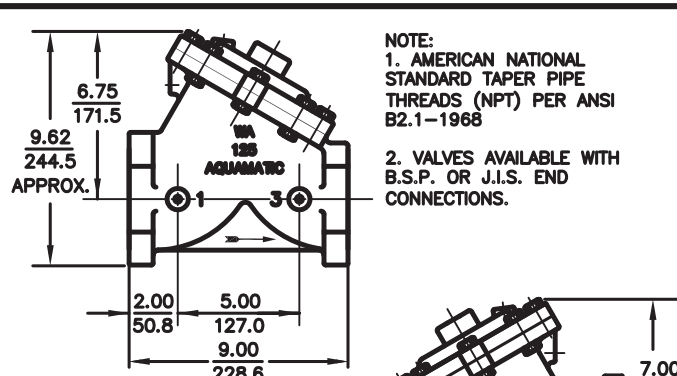


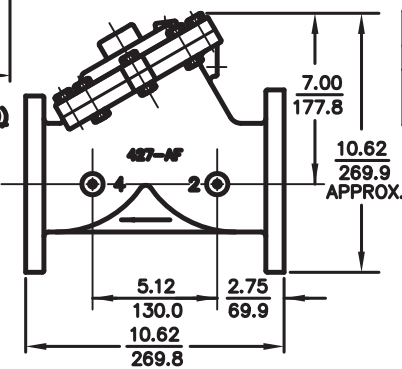
3" DIAPHRAGM VALVE - STANDARD MODEL



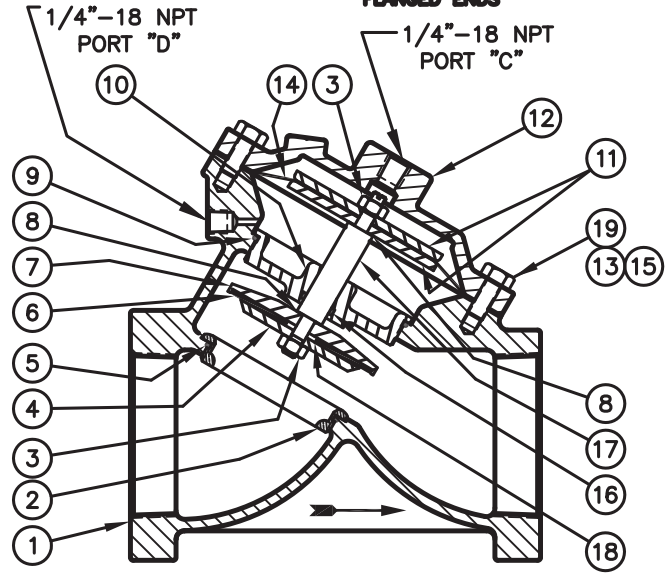
NOTE:
 1. AMERICAN NATIONAL STANDARD TAPER PIPE THREADS (NPT) PER ANSI B2.1-1968
 2. VALVES AVAILABLE WITH B.S.P. OR J.I.S. END CONNECTIONS.

1070043 (V42-I-0000-00000)
3" NPT ENDS

INCHES
MILLIMETERS



1070044 (V42-I-3000-00000)
FLANGED ENDS

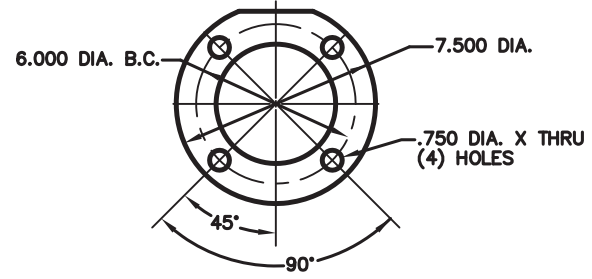


NORMALLY OPEN (STANDARD)

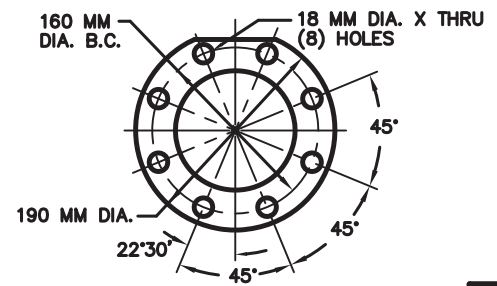
SEE REVERSE SIDE FOR CONFIGURATION OPTIONS

REPAIR PARTS KITS			
DESCRIPTION	PART NO.		
DIAPHRAGM & SEALS KIT CONSISTS OF ITEM NO'S 3(2),5,6,8(2),9,14,16	1070072 (427-RA)	1070085 (427-RAE)	1070097 (427-RAV)
	BUNA N INCLUDES DIAPHRAGM 1074475 (427-FB)	E.P.D.M. INCLUDES DIAPHRAGM 1074475 (427-FB)	FKM INCLUDES DIAPHRAGM 1074477 (427-FV)
	INT. PARTS KIT (NORM. OPEN) CONSISTS OF STANDARD ITEM NO'S 4,7,10,11(2),17,18		
SEAT (ITEM NO. 2)	1074505 (427-MO)		

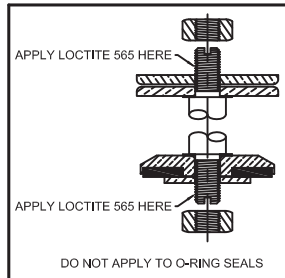
ASSEMBLY TOOLS	
DESCRIPTION	PART NO.
FOR INSTALLATION & REMOVAL OF SHAFT GUIDE (ITEM #10) (NOT SHOWN)	1-1/4" HEX SOCKET



AMERICAN FLANGE PER
A.S.A. 16.1 CLASS 125



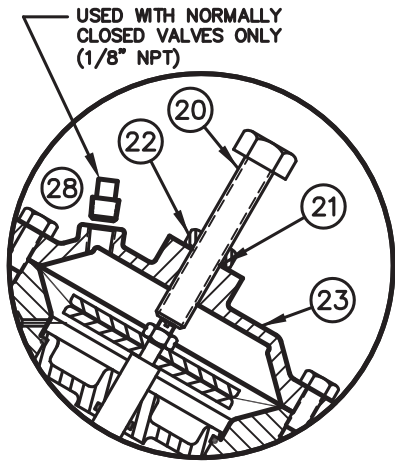
METRIC FLANGE PER
BS4504, DIN 10 & ISO R 2084



NO.	DESCRIPTION	STD	PART NO.	QTY.
1	BODY	CAST IRON	THREADED * 1074446 (427-AS)	1
		CAST BRASS	FLANGED * 1074438 (427-AF)	
		THREADED * 1074449 (427-ASB)		
2	SEAT	BRASS	* 1074505 (427-MO)	1
		STN. STL.	1074507 (427-MV)	
3	HEX NUT (5/16-24)	*	1263853	2
4	DISC PLATE	BRASS	* 1074493 (427-K)	1
		STN. STL.	1074495 (427-KS)	
5	O-RING	BUNA N	* 1071706 (ORB-233)	1
		E.P.D.M.	1071754 (ORE-233)	
		FKM	1071826 (ORV-233)	
6	DISC	BUNA	* 1074487 (427-J)	1
		E.P.D.M.	1074489 (427-JE)	
		FKM	1074492 (427-JV)	
		HYCAR	1074490 (427-JH)	
7	DISC HOLDER	BRASS	* 1074485 (427-HO)	1
		STN. STL.	1074486 (427-HSS)	
8	GASKET	COPPER	* 1074252 (424-R)	2
9	O-RING	BUNA N	* 1071708 (ORB-237)	1
		E.P.D.M.	1071755 (ORE-237)	
		FKM	1071828 (ORV-237)	
10	SHAFT GUIDE (REQ'S ASSY TOOL)	BRASS	* 1074481 (427-GO)	1
		STN. STL.	1074479 (427-GASO)	
11	DIAPHRAGM PLATE	BRASS	* 1074471 (427-D)	2
		STN. STL.	1074472 (427-DA)	
12	CAP	CAST IRON	* 1074454 (427-C)	1
		CAST BRASS	1074457 (427-CB)	
13	HEX SCREW	PLATED STEEL	* 1072405 (SCZ-0025)	6
		STN. STL.	1072390 (SCS-0152)	
14	DIAPHRAGM	BUNA N	* 1074475 (427-FB)	1
		FKM	1074477 (427-FV)	
15	HEX NUT	PLATED STEEL	* 1071658 (NUZ-0014)	6
		STN. STL.	1071652 (NUJ-0014)	
16	O-RING	BUNA N	* 1071691 (ORB-114TC)	1
		E.P.D.M.	1071729 (ORE-114TC)	
		FKM	1242391 (ORV-114TC)	
17	SHAFT (NORMALLY OPEN)	*	1074496 (427-L)	1
18	DISC SPACER	BRASS	* 1074382 (426-HA)	1
		STN. STL.	1074384 (426-HAS)	
19	HEX SCREW	STN. STL.	* 1072359 (SCS-0020)	2

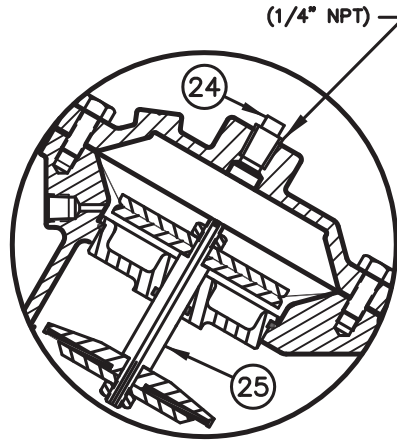
FORM NO. 1077617

J	ADDED LOCTITE APPLICATION BOX INFO	1713	MSM	29May07	
REV	DESCRIPTION	ECO	DWN	DATE	APVD
<p>20580 Enterprise Avenue Brookfield, WI 53045 888.784.9065 www.Pentairwatertreatment.com</p>					
SERIES 427 DIAPHRAGM VALVE STANDARD MODEL					
DRAWN		DATE		DRAWING NO.	
JWB		02May01		1084022	



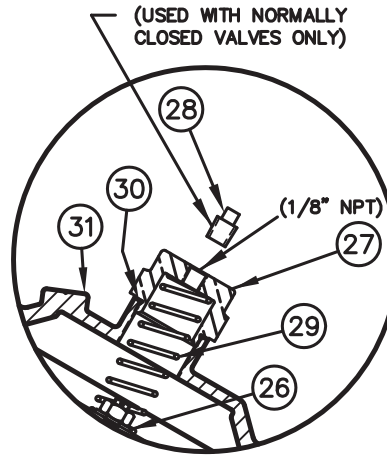
1073045 (V42J-0010-00000) (THREADED)
1073103 (V42J-3010-00000) (FLANGED)

LIMIT STOP



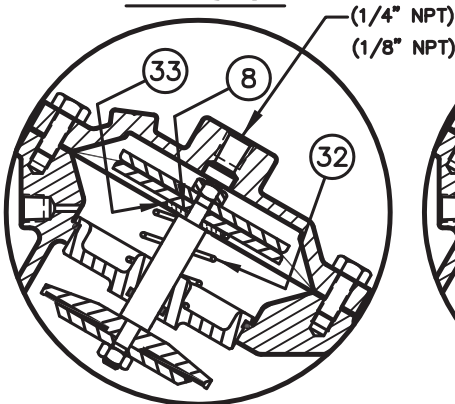
1073055 (V42J-0030-00000) (THREADED)
1073113 (V42J-3030-00000) (FLANGED)

NORMALLY CLOSED



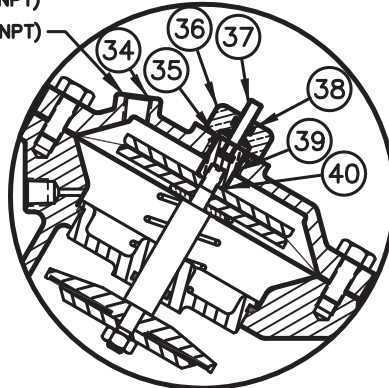
1073047 (V42J-0002-00000) (THREADED)
1073100 (V42J-3002-00000) (FLANGED)

SPRING ASSIST CLOSED



1073045 (V42J-0001-00000) (THREADED)
1073097 (V42J-3001-00000) (FLANGED)

SPRING ASSIST OPEN



1073054 (V42J-0021-00000) (THREADED)
1077374 (V42J-3021-00000) (FLANGED)

POSITION INDICATOR

NOTE:

1. SPRING ASSIST CLOSED MODEL CANNOT BE COMBINED WITH LIMIT STOP OR POSITION INDICATOR MODELS.
2. VALVES AVAILABLE WITH B.S.P. OR J.I.S. END CONNECTIONS.

SEE REVERSE SIDE FOR STANDARD NORMALLY OPEN MODEL

NO.	DESCRIPTION	STD	PART NO.	QTY.
LIMIT STOP MODEL				
20	SCREW	*	1072385 (SCS-0043)	1
21	O-RING	*	1071690 (ORB-112)	1
22	NUT	*	1074434 (426-U)	1
23	CAP	CAST IRON	* 1074462 (427-CCC)	1
		CAST BRASS	1074485 (427-CCCB)	
NORMALLY CLOSED MODEL				
24	PIPE PLUG (1/4" N.P.T.)	PLATED STEEL	* 1071918 (PLZ-0008)	1
		BRASS	1071904 (PLB-0009)	
		STN. STL	1071915 (PLS-0001)	
25	SHAFT (NORMALLY CLOSED)	*	1074499 (427-L)	1
SPRING ASSIST CLOSED MODEL				
26	CENTERING WASHER	BRASS	* 1074083 (421-AH)	1
		STN. STL	1074084 (421-AHS)	
27	RETAINER NUT	BRASS	* 1074430 (426-TI)	1
		STN. STL	1078686	
28	PIPE PLUG (1/8" N.P.T.)	PLATED STEEL	* 1071917 (PLZ-0005)	1
		BRASS	1071903 (PLB-0007)	
		STN. STL	1071916 (PLS-0002)	
29	SPRING	*	1074428 (426-SS)	1
30	O-RING	*	1071677 (ORB-025)	1
31	CAP	CAST IRON	* 1074460 (427-CC)	1
		CAST BRASS	1074461 (427-CCB)	
SPRING ASSIST OPEN MODEL				
8	GASKET	COPPER	* 1074252 (424-R)	1
		LEAD	1074263 (424-RL)	
32	SPRING	*	1074423 (426-S)	1
33	CENTERING WASHER	BRASS	* 1074436 (426-V)	1
		STN. STL	1074437 (426-VS)	
POSITION INDICATOR MODEL				
34	CAP	CAST IRON	* 1074468 (427-CF)	1
		CAST BRASS	1074469 (427-CFB)	
35	O-RING	*	1071692 (ORB-116)	1
36	SHAFT GUIDE BUSHING	*	1074121 (421-GF)	1
37	INDICATOR SHAFT	*	1074510 (427-PM)	1
38	O-RING	*	1071688 (ORB-108TC)	1
39	TOP NUT	*	1074332 (425-TB)	1
40	LOCKWASHER	*	1073590 (WAS-0007)	1

FORM NO. 1077617

J	SEE REVERSE SIDE	1713	MSM	29May07	
REV	DESCRIPTION	ECO	DWN	DATE	APVD
<p>20580 Enterprise Avenue Brookfield, WI 53045 888.784.9065 www.Pentairwatertreatment.com</p>					
SERIES 427 DIAPHRAGM VALVE					
STANDARD MODEL					
DRAWN		DATE		DRAWING NO.	
JWB		02May01		1084022	

CONVERSION KITS	
DESCRIPTION	PART NO.
CONVERSION KIT (LIMIT STOP) CONSISTS OF STANDARD ITEM NO'S 20,21,22,23	1074502 (427-LSC)
CONVERSION KIT (SPRING ASSIST CLOSED) CONSISTS OF STANDARD ITEM NO'S 26 THRU 31	1074519 (427-SCC)
CONVERSION KIT (SPRING ASSIST OPEN) CONSISTS OF STANDARD ITEM NO'S 8,32,33	1074521 (427-SO)
CONVERSION KIT (POSITION INDICATOR) CONSISTS OF STANDARD ITEM NO'S 34 THRU 40	1074509 (427-PIC)

REPAIR PARTS KITS	
DESCRIPTION	PART NO.
INT. PARTS KIT (LIMIT STOP) CONSISTS OF STANDARD ITEM NO'S 20,21,22	1074501 (427-LS)
INT. PARTS KIT (NORM. CLOSED) CONSISTS OF STANDARD ITEM NO'S 4,7,10,11(2),18,25	1070133 (427-RG)
INT. PARTS KIT (SPRING ASSIST CLOSED) CONSISTS OF STANDARD ITEM NO'S 26,29,30	1081565 (427-SC)
INT. PARTS KIT (SPRING ASSIST OPEN) CONSISTS OF STANDARD ITEM NO'S 8,32,33	1074521 (427-SO)
INT. PARTS KIT (POSITION INDICATOR) CONSISTS OF STD ITEM NO'S 35 THRU 40	1074508 (427-PI)