



RV Series Pressure Relief Valves

1/2" TO 2" PVC AND CPVC

KEY FEATURES

- PVC and CPVC
- Hand Adjustable, No Tools Needed
- Integrally Molded Threaded Gauge Port
- Pressure Relief from 5 PSI to 75 PSI

OPTIONS

- 0 to 30 PSI Gauge
- 0 to 60 PSI Gauge
- 0 to 160 PSI Gauge
- Gauge Guards
- 2 to 20 PSI for 1-1/2" to 2" with Low Pressure Spring
- Flanged Ends

MATERIALS

- PVC Cell Class 12454 per ASTM D1784
- CPVC Cell Class 23447 per ASTM D1784
- FPM and EPDM O-Ring Seals

TECHNICAL INFORMATION

SELECTION CHART

SIZE	MATERIAL	END CONNECTION	SEALS	PRESSURE SETTING	PRESSURE RATING
1/2" - 2" (DN15 - DN50)	PVC or CPVC	Threaded or Flanged	FPM or EPDM	5 to 75* PSI	150 PSI @ 70°F Non-Shock

* Inlet pressure over 75 PSI cannot be regulated

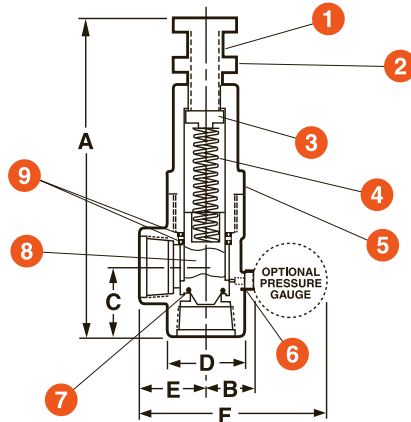
RV Series Pressure Relief Valves

1/2" TO 2" PVC AND CPVC

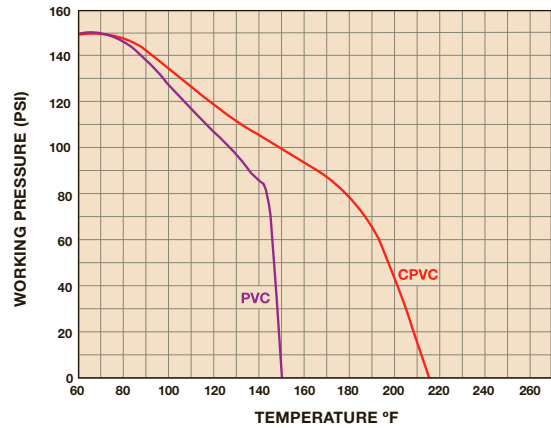
TECHNICAL INFORMATION, CONTINUED

PARTS LIST

1. Stem
2. Locknut
3. Spring Retainer
4. Spring (Plastic Coated)
5. Body
6. Gauge Port
7. O-Ring Seal
8. Piston
9. U-Cup Seal



OPERATING TEMPERATURE/PRESSURE



DIMENSIONS

SIZE in/DN	A in/mm	B in/mm	C in/mm	D in/mm	E in/mm	F in/mm	WEIGHT lb/kg
1/2/15	6.75/171	1.38/35	1.50/38	1.38/35	1.38/35	5.19/132	.50/.23
3/4/20	6.88/175	1.50/38	1.75/44	1.56/40	1.63/41	5.44/138	.75/.34
1/25	8.75/222	1.63/41	2.06/52	1.88/48	1.88/48	5.75/146	1.00/.45
1-1/2/40	13.25/337	1.88/48	2.63/67	2.63/67	2.44/62	6.25/159	2.50/1.13
2/50	15.50/394	2.13/54	3.00/76	3.13/80	2.88/73	6.69/170	3.50/1.59

Dimensions are subject to change without notice – consult factory for installation information

RELIEF VALVE FLOW CHART

The chart below shows the flow rate out of the relief valve discharge port at a given set pressure and overpressure. For example, a 1" relief valve set to relieve at 30 PSI would have a flow rate of 20 GPM out of the discharge port at 10 PSI of overpressure (system pressure at 40 PSI).

RELIEF VALVE SIZES (NPT)

SET RELIEF PRESSURE (PSI)	1/2"			3/4"			1"			1-1/2"			2"	
	OVERPRESSURE (PSI)			OVERPRESSURE (PSI)			OVERPRESSURE (PSI)			OVERPRESSURE (PSI)			OVERPRESSURE (PSI)	
	+5	+10	+20	+5	+10	+20	+5	+10	+20	+2*	+5*	+10	+20	+2*
	FLOW RATE (GPM)			FLOW RATE (GPM)			FLOW RATE (GPM)			FLOW RATE (GPM)			FLOW RATE (GPM)	
10	.5	2.0	6.0	3.0	4.0	9.0	7.0	11.0	18.0	1.0	15.0	20.0	22.5	110.0
20	1.0	3.0	7.0	4.0	6.0	15.0	8.0	14.0	24.0	1.5	30.0	33.0	40.0	125.0
30	1.0	3.0	8.0	5.5	9.0	17.5	8.0	20.0	27.0	5.0	40.0	45.0	55.0	147.0
40	1.0	3.0	8.0	9.0	13.0	19.0	8.0	27.5	30.0	8.0	47.5	51.0	75.0	160.0
50	N/A	N/A	N/A	9.0	15.0	21.0	8.0	33.0	36.0	10.0	69.0	72.0	83.0	180.0
75	N/A	N/A	N/A	9.0	18.0	20.0	8.0	40.0	48.0	10.0	90.0	96.0	92.0	180.0

* With Optional Low Pressure Spring



Hayward is a registered trademark of Hayward Industries, Inc. © 2015 Hayward Industries, Inc.

Contact Hayward Flow Control with questions: **USA:** 1-888-429-4635 • Fax: 1-888-778-8410 • One Hayward Industrial Drive • Clemmons, NC 27012 USA
Canada: 1.888.238.7665 • Fax: 1.905.829.3636 • 2880 Plymouth Drive • Oakville, ON L6H 5R4 Canada • Email: hflowcanada@haywardnet.com
 Visit us at: www.haywardflowcontrol.com • E-mail: hflow@haywardnet.com